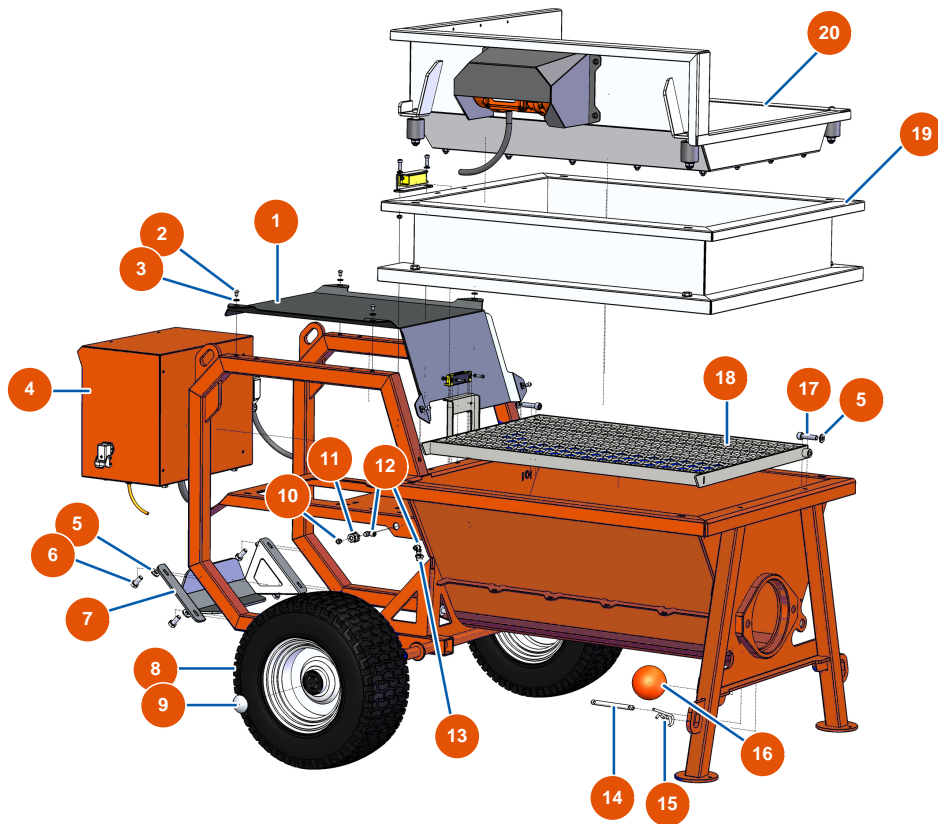


OPTIMIX 100 liquid floor-screed machine - CHASSIS



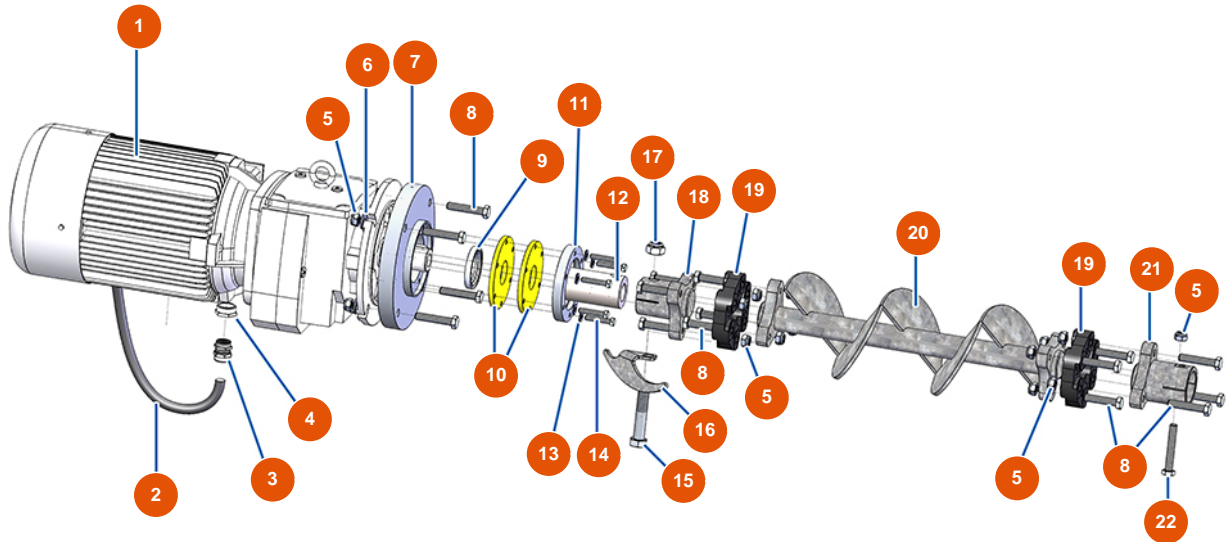
Détails des pièces

| Pos. | Référence | Désignation |
|------|-----------|------------------------|
| 1 | EUC22869 | 1 |
| 2 | EU12110 | 2 |
| 3 | EU80259 | 3 |
| 4 | EU20141 | 4 |
| 5 | EU80260 | ∅ 8 inox medium washer |
| 6 | EU11544 | THEF 8 x 25 screw |
| 7 | EUC22877 | 7 |
| 8 | EU80372 | 8 |
| 9 | EU90282 | 9 |
| 10 | EU20044 | 10 |
| 11 | EU20159 | 11 |
| 12 | EU30124 | 12 |
| 13 | EU20084 | 13 |



| Pos. | Référence | Désignation |
|------|-----------|--|
| 14 | EU20060 | 14 |
| 15 | EU20046 | 15 |
| 16 | EU20048 | 16 |
| 17 | EUC22882 | 17 |
| 18 | EUC22868 | 18 |
| 19 | EU20142 | OPTIMIX 50 & OPTIMIX 100 machine extension |
| 20 | EU20143 | OPTIMIX 50 & OPTIMIX 100 vibrating sieve |

OPTIMIX 100 liquid floor-screed machine - TRANSMISSION



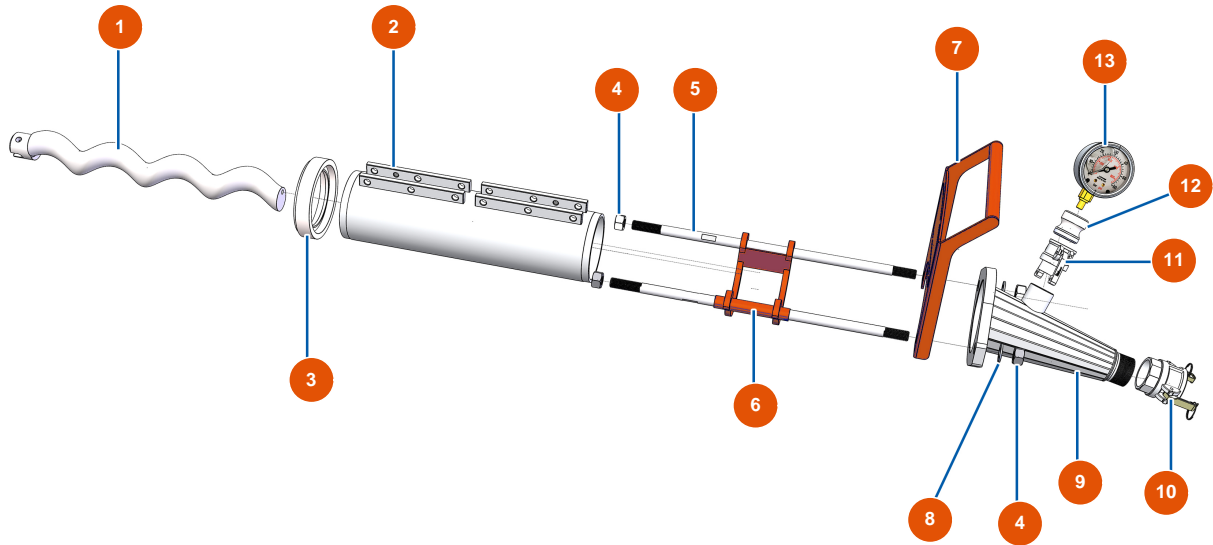
Détails des pièces

| Pos. | Référence | Désignation |
|------|-----------|------------------------|
| 1 | EU20022 | 1 |
| 2 | EU20041 | 2 |
| 3 | EU20043 | 3 |
| 4 | EU12814 | 4 |
| 5 | EU10051 | 5 |
| 6 | EU14102 | 6 |
| 7 | EU20057 | 7 |
| 8 | EU20038 | 8 |
| 9 | EU20042 | 9 |
| 10 | EU20058 | 10 |
| 11 | EU20059 | 11 |
| 12 | EU20056 | 12 |
| 13 | EU80260 | ∅ 8 inox medium washer |



| Pos. | Référence | Désignation |
|------|-----------|-------------|
| 14 | EU11798 | 14 |
| 15 | EU20040 | 15 |
| 16 | EUC22881 | 16 |
| 17 | EU20039 | 17 |
| 18 | EU20053 | 18 |
| 19 | EU14661 | 19 |
| 20 | EU20054 | 20 |
| 21 | EU20055 | 21 |
| 22 | EU20047 | 22 |

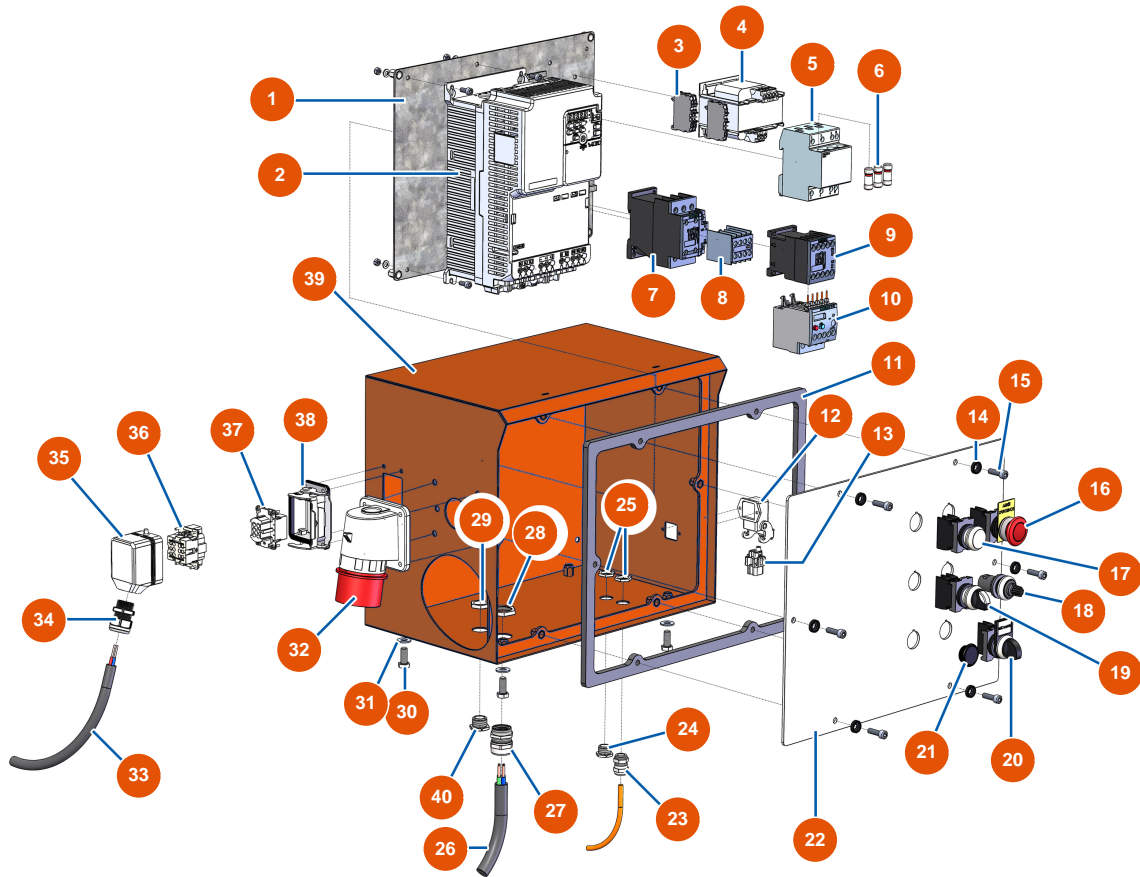
OPTIMIX 100 liquid floor-screed machine - PUMP



Détails des pièces

| Pos. | Référence | Désignation |
|------|------------|--|
| 1 | 7009200000 | 60-12 PLUS rotor SX L= 620 |
| 2 | 3F00508400 | 60-12 PLUS Stator 60 SH with anti-rotation L535 SX |
| 3 | EU20061 | 3 |
| 4 | EU12473 | 4 |
| 5 | EUM10281 | 5 |
| 6 | EUC22875 | 6 |
| 7 | EUC22880 | 7 |
| 8 | EU10141 | 8 |
| 9 | EU12364 | 9 |
| 10 | EUC22884 | 10 |
| 11 | EU20070 | 11 |
| 12 | EU20062 | 12 |
| 13 | EU20154 | 13 |

OPTIMIX 100 liquid floor-screed machine - ELECTRICAL BOX

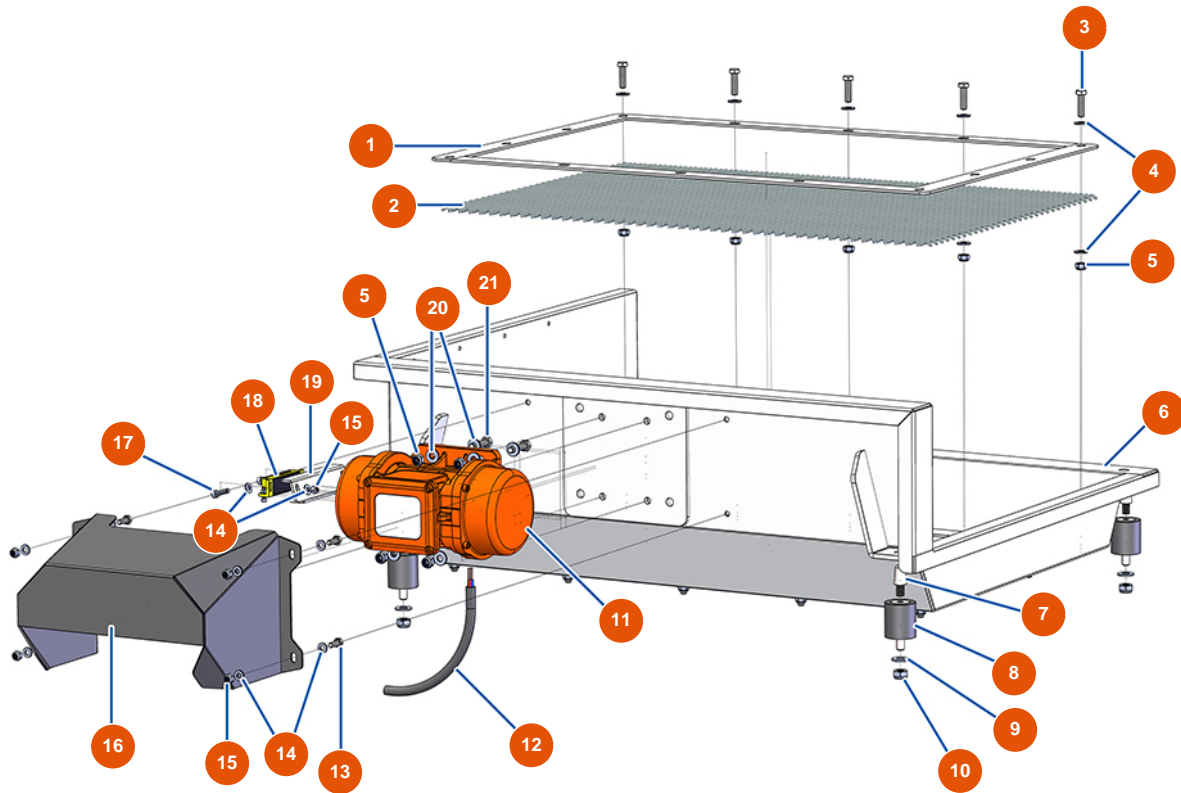


Détails des pièces

| Pos. | Référence | Désignation |
|------|------------|-----------------------------------|
| 1 | EUC23064 | 1 |
| 2 | EU20146 | 2 |
| 3 | 3C05050800 | Fuse holder 5X20 PHONIX UK5-HESIL |
| 4 | EU13198 | 4 |
| 5 | EU12149 | 5 |
| 6 | EU14637 | 6 |
| 7 | EU20155 | 7 |
| 8 | EU20076 | 8 |
| 9 | EU11918 | 9 |
| 10 | EU20077 | 10 |
| 11 | EU20025 | 11 |
| 12 | EU12543 | 12 |
| 13 | EU11914 | 13 |

| Pos. | Référence | Désignation |
|------|-----------|------------------------------------|
| 14 | EU80573 | 14 |
| 15 | EU90153 | 15 |
| 16 | EU90038 | Emergency stop button Ø 22 |
| 17 | EU30034 | 17 |
| 18 | EU80645 | Potentiometer for spraying machine |
| 19 | EU11338 | 19 |
| 20 | EU30014 | 20 |
| 21 | EU12022 | 21 |
| 22 | EUC22879 | 22 |
| 23 | EU90600 | 23 |
| 24 | EU80442 | 24 |
| 25 | EU11327 | 25 |
| 26 | EU20041 | 26 |
| 27 | EU20043 | 27 |
| 28 | EU20050 | 28 |
| 29 | EU20051 | 29 |
| 30 | EU11544 | THEF 8 x 25 screw |
| 31 | EU30292 | 31 |
| 32 | EU20174 | 32 |
| 33 | EU30018 | 33 |
| 34 | EU30332 | 34 |
| 35 | EU20069 | 35 |
| 36 | EU20066 | 36 |
| 37 | EU20067 | 37 |
| 38 | EU20065 | 38 |
| 39 | EUC22876 | 39 |
| 40 | EU80443 | 40 |

OPTIMIX 100 liquid floor-screed machine - VIBRATING STRAINER

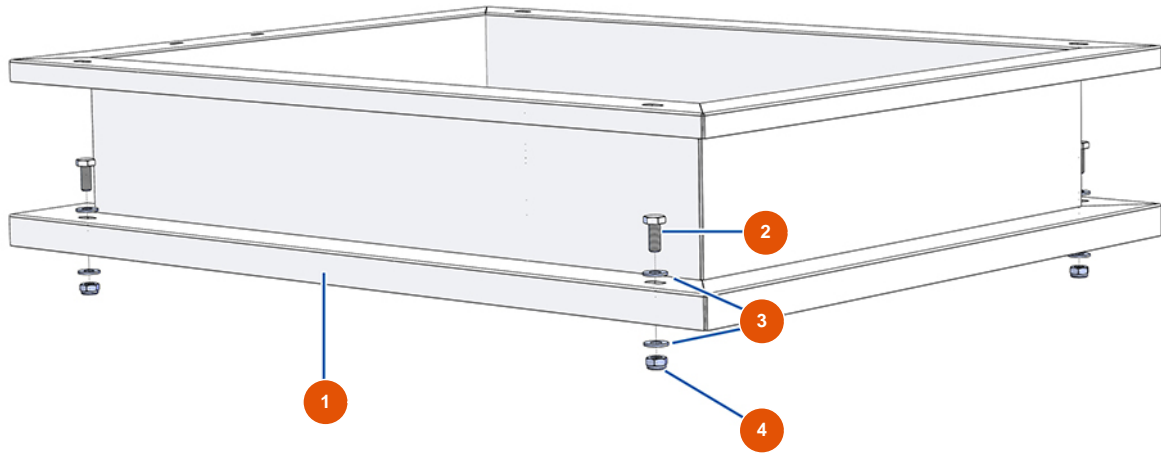


Détails des pièces

| Pos. | Référence | Désignation |
|------|-----------|-------------------------|
| 1 | EUC22873 | 1 |
| 2 | EUC22883 | 2 |
| 3 | EU30205 | 3 |
| 4 | EU30292 | 4 |
| 5 | EU13980 | 5 |
| 6 | EUC22872 | 6 |
| 7 | EU20052 | 7 |
| 8 | EU20172 | 8 |
| 9 | EU80261 | ø 10 inox medium washer |
| 10 | EU13981 | 10 |
| 11 | EU20024 | 11 |
| 12 | EU30018 | 12 |
| 13 | EU12069 | 13 |

| Pos. | Référence | Désignation |
|------|-----------|------------------------------------|
| 14 | EU80259 | 14 |
| 15 | EU14217 | M 6 nylstop inox nut |
| 16 | EUC22874 | 16 |
| 17 | EU90996 | 6 x 20 inox cylindrical head screw |
| 18 | EU12120 | 18 |
| 19 | EUC23008 | 19 |
| 20 | EU80260 | ø 8 inox medium washer |
| 21 | EU11545 | 21 |

OPTIMIX 100 liquid floor-screed machine - TANK EXTENSION



Détails des pièces

| Pos. | Référence | Désignation |
|------|-----------|-------------------------|
| 1 | EUC22871 | 1 |
| 2 | EU30257 | 2 |
| 3 | EU80261 | ø 10 inox medium washer |
| 4 | EU13981 | 4 |