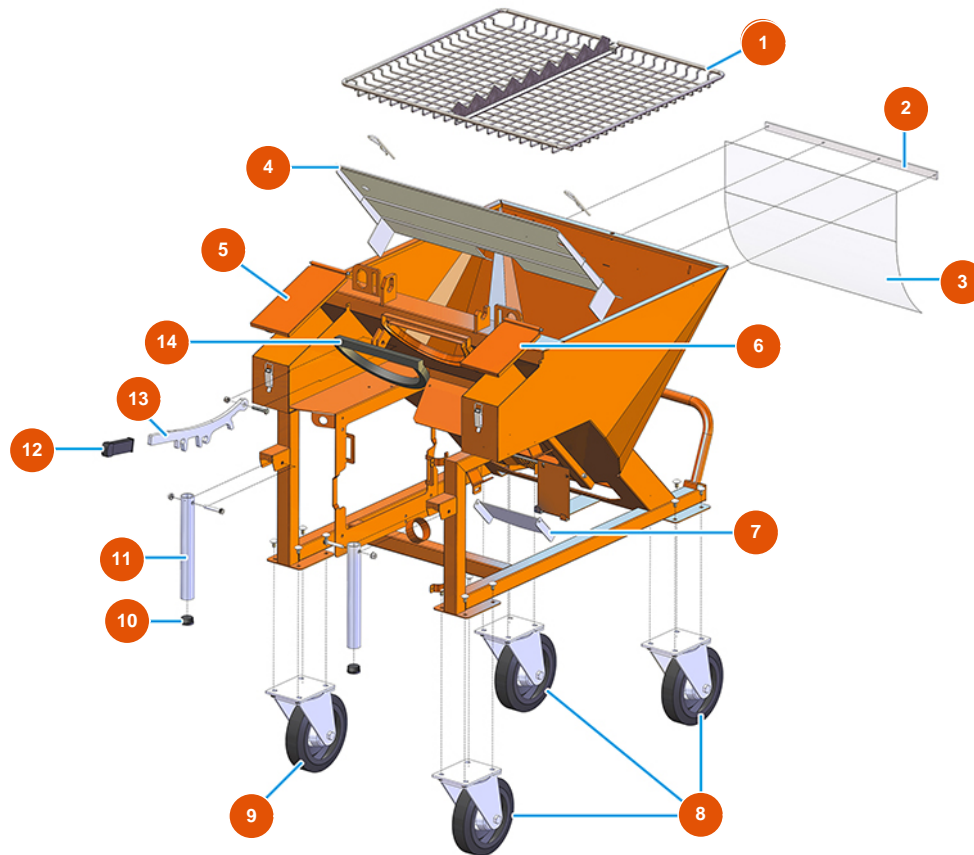


MIXER PLUS CLASSIC - 50 Hz continuous mixing machine - General view



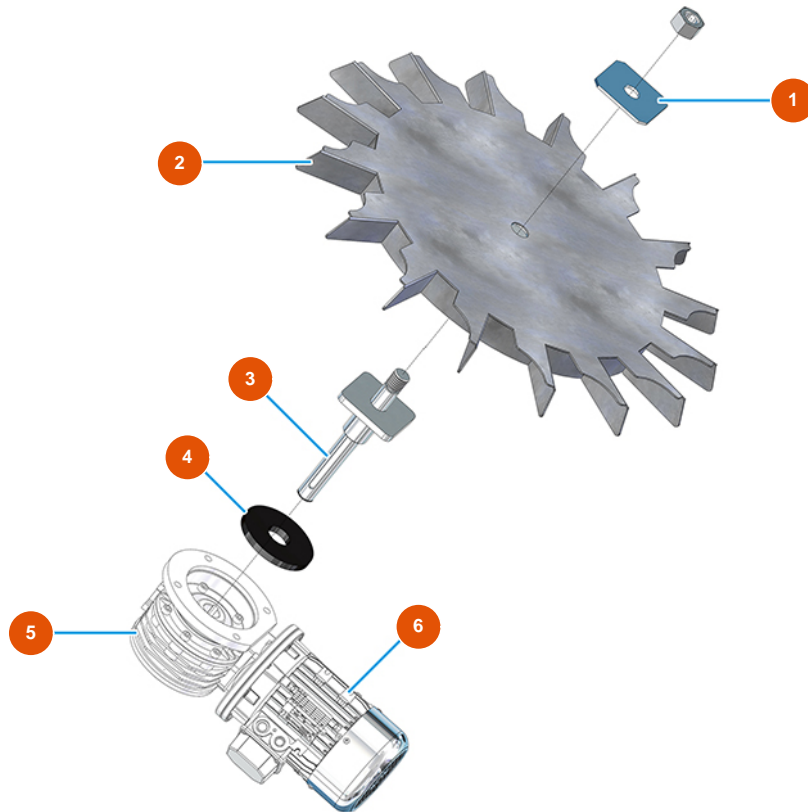
Détails des pièces

Pos.	Référence	Désignation
1	7017502000	Bag Cutter Grid for PLUS CLASSIC, STANDARD and TOP
2	4906519000	Protection tie plate PVC galvanised
3	4920001010	PVC FLEX protection 545X450X1 MOSQUITO
4	4913001500	Antipowder plate for PLUS MONO vers. 2020
5	400201500G	5
6	400201400G	6
7	401700110A	Drain door PLUS TOP galvanized
8	3F00300902	Turning wheel Ø 200/70 w/plate
9	3F00300901	Wheel Ø 200/70 revolving plate w/brake
10	3F00400400	PVC black top D.32
11	4914001000	Front lifting handle galv. PLUS
12	3T02700201	Rubber knob for lever LH-BET-PL-I41
13	4928001000	Clamping lever galv. chamber PLUS



Pos.	Référence	Désignation
14	3G01000151	EPDM seal 20X15 black

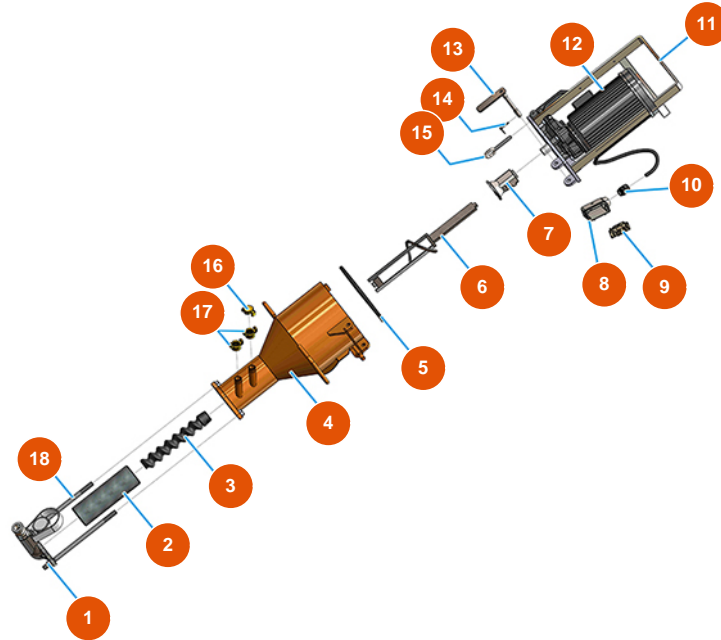
MIXER PLUS CLASSIC - 50 Hz continuous mixing machine - Dosage group



Détails des pièces

Pos.	Référence	Désignation
1	4912001100	Wheel scoop fixing nut galvanized
2	7019006000	Paddle wheel for PLUS CLASSIC, STANDARD, TOP e MONO vers. 2020
3	7015002000	Drive shaft for doser wheel welded
4	4920003000	4
5	3D00300312	Paddle wheel reducer for MUXER PLUS CLASSIC, STANDARD, MONO and TOP
6	3D00200201	Paddle wheel three-phased 0,55 kW Motor for PLUS CLASSIC, STANDARD, MONO and TOP

MIXER PLUS CLASSIC - 50 Hz continuous mixing machine - Pump group

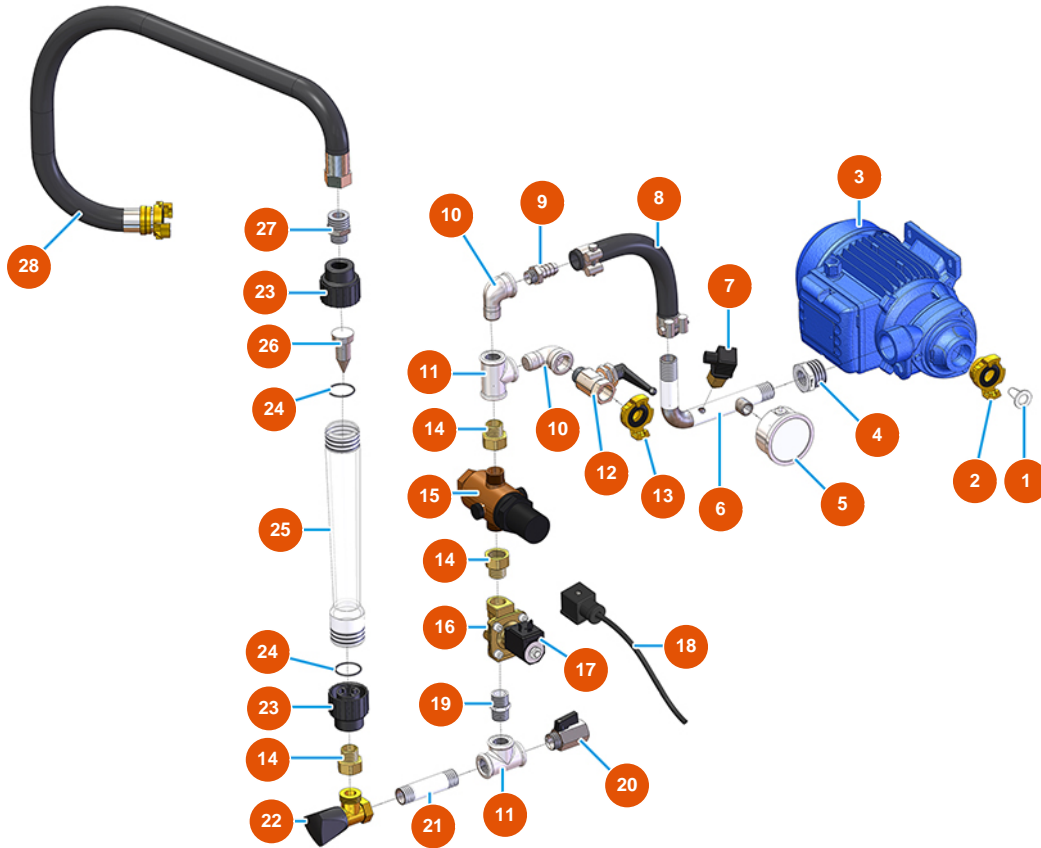


Détails des pièces

Pos.	Référence	Désignation
1	8012005000	Pump flange with male coupling for MIXER PLUS, MUSTANG and REMIX
2	3F00502200	MIXER 1 straight stator - D6-3 long life
3	7009049200	MIXER 1 rotor HR
4	701400222A	Orange mixing chamber for MIXER PLUS
5	3G01000151	EPDM seal 20X15 black
6	7003019000	Mixing shaft for MIXER PLUS
7	700600600S	Motor coupling for PLUS MONO, CLASSIC, STANDARD and TOP - h=30 - Ø20
8	3C02800100	Horizontal 16-pin cover
9	3C03100400	4/2-pin 80A male insert
10	3C04200208	PG21 anti-tear cable gland
11	701100300G	Mixing chamber motor support for MIXER PLUS and SPRINTER
12	3D00420100	Mixing chamber gear motor for PLUS CLASSIC, STANDARD and TOP
13	7018006000	Mounting trunnion flange PLUS /SPRINTER

Pos.	Référence	Désignation
14	3T01200101	Split pin Ø 4,5
15	3T01000400	Galvanized threaded ring lever closing 262
16	3A00100401	Geka plug
17	3A00100203	Female Geka coupling 3/4"
18	8023003000	Tie rod M16 L = 350 F55 / 55 + screws

MIXER PLUS CLASSIC - 50 Hz continuous mixing machine - Water group



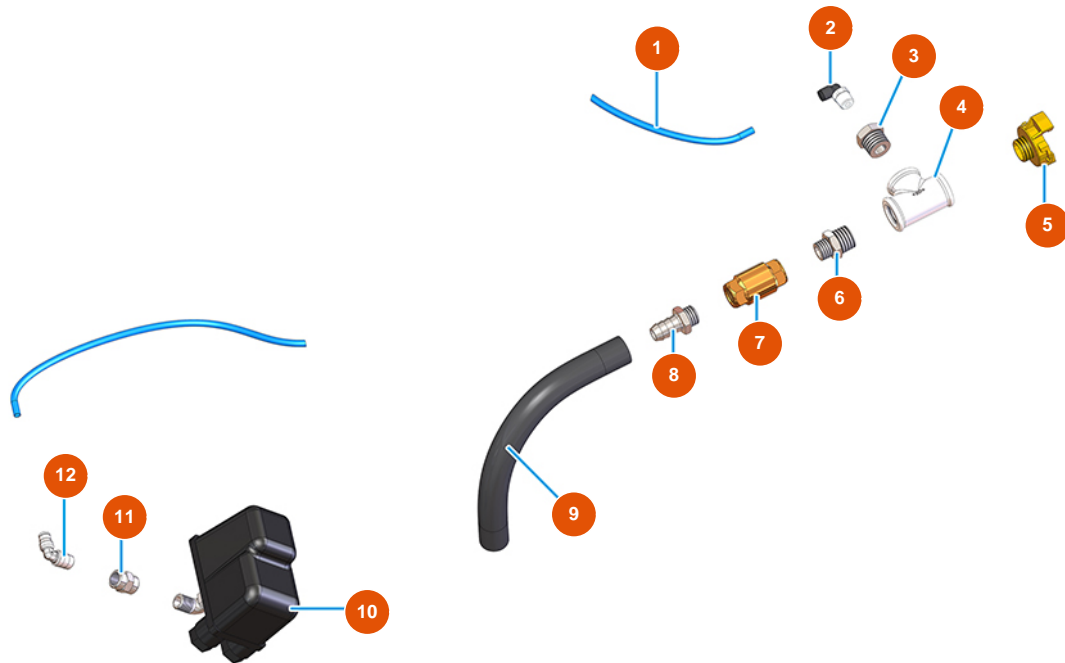
Détails des pièces

Pos.	Référence	Désignation
1	3A00100600	Inox water filter
2	3A00100304	Male Geka coupling 1"
3	3D00703003	Water pump for MIXER PLUS STANDARD
4	3G00524105	Galvanized reduction FIG.241 1X1/2
5	3G00100141	Axial manometer 0-10 bar
6	7050001000	6
7	3G00402103	Water pressure switch
8	3F00700211	8
9	3G50300201	Hose connector 1/2"X20"
10	3G00509202	Elbow join galvanized 90° MF FIG.92 1/2"
11	3G00513002	Galv. T-joint FIG.130 1/2
12	3G01200502	Ball valve MF 1/2 black lever
13	3A00100302	Male Geka coupling 1/2"



Pos.	Référence	Désignation
14	3G01700100	14
15	3G00904100	Pressure reducer 1/2
16	3G00301300	Electrovalve NC 1/2
17	3G00301400	Coil 24VAC
18	3G00300402	Coil connector for electrovalve
19	3G00528002	Galvanized nipple FIG.280 1/2
20	3G01200301	Ball valve MF1/2" hexagonal
21	3G00553002	Galvanized extension screw 1/2 X 80
22	3G01300201	Needle valve for MIXER 35 1/2 tap syr
23	3G01100303	PVC coupling for 150-1500 flowmeter
24	3G01100305	O-ring seal for 150-1500 flowmeter
25	3G01100302	150-1500 measuring tube
26	3G01100304	Dosing lead for 150-1500 flowmeter
27	3G50300704	Steel reduced nipple 3/4X1/2
28	8002008002	Tube radiator SPG D.18X28 L=635 w/conn

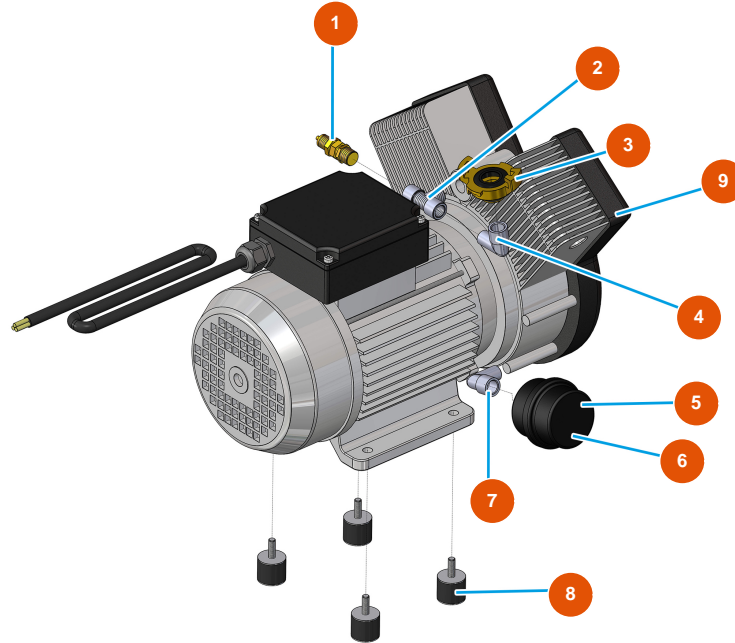
MIXER PLUS CLASSIC - 50 Hz continuous mixing machine - Air group



Détails des pièces

Pos.	Référence	Désignation
1	3G50500100	Hose ELASTOLLAN 6X4
2	3G50200200	Legris coupling elbow joint 6X1/4
3	3G50300100	Steel reduction 1/2X1/4
4	3G00513002	Galv. T-joint FIG.130 1/2
5	3A00100302	Male Geka coupling 1/2"
6	3G50300700	Steel reduced nipple 1/2X3/8
7	3G01300401	Valve RITEGNO EUROPA 3/8"
8	3G50300202	Hose connector 3/8"X1/4"
9	3F00700210	9
10	3G00403106	Pressure switch PT/5 0,6-2 BAR ITALT
11	3G50300900	Sleeve 1/4 1/4 30M
12	3G50300400	Stainless steel elbow joint MM 1/4"

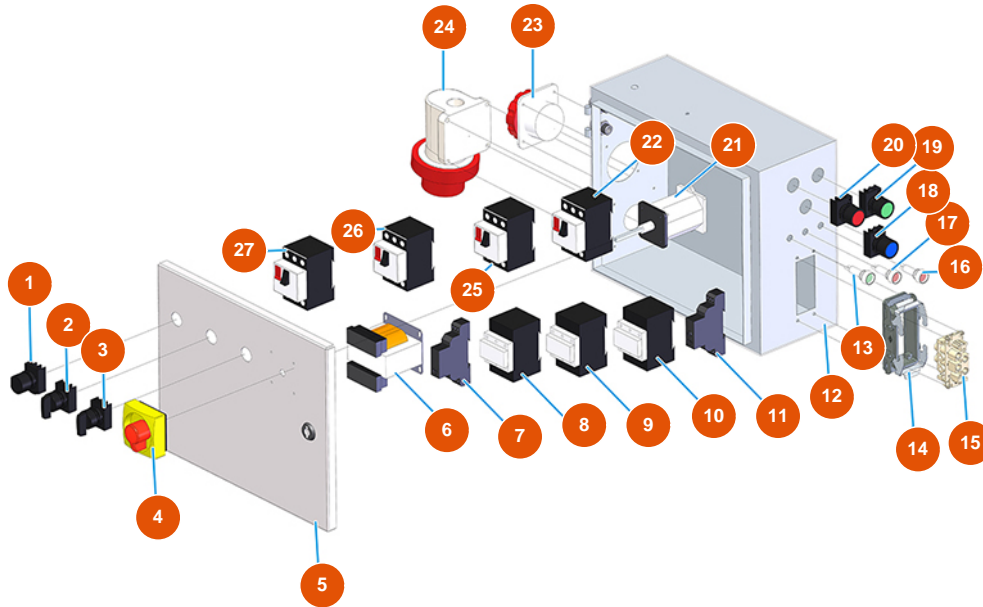
MIXER PLUS CLASSIC - 50 Hz continuous mixing machine - Compressor



Détails des pièces

Pos.	Référence	Désignation
1	3G01300304	Safety valve 1/4" TAR.3 BAR
2	3G50300804	T - joint FMF steel 3/8"
3	3A00100301	Male Geka coupling 3/8"
4	3G50300503	Steel elbow MF 3/8"
5	3B02620000	Cartridge filter holder
6	3B02620010	Filter cartridge
7	3G50300500	Stainless steel elbow joint MF 1/4"
8	3T00200402	Rubber antivibration MM M8 D30 X H40 M8X23
9	3B02500000	Single-phase compressor 2 heads 230V

MIXER PLUS CLASSIC - 50 Hz continuous mixing machine - Electric panel



Détails des pièces

Pos.	Référence	Désignation
1	3C04000101	1
2	3C04400800	Switch pump PLUS STANDARD
3	3C04400700	Switch scoop wheel PLUS STANDARD
4	3C04400207	Complete phase inverter PLUS STANDARD
5	3C00102805	5
6	3C00500402	Transformer 70/80VA 400/42/24/15
7	3C00601001	Cycle sense phase relay
8	3C00700117	Counter 4 KW 24V AC SIEMENS
9	3C00700117	Counter 4 KW 24V AC SIEMENS
10	3C00700110	10
11	3C03750400	Timer 2 delayed threads 24/230AC/DC
12	3C00102805	12
13	3C04000108	13

Pos.	Référence	Désignation
14	3C02800502	16-pin socket base with 2 levers
15	3C02700600	4/2-pin 80A female insert
16	3C04000106	Orange light indicator with cable 24V
17	3C04000107	17
18	3C04000118	Blue button D.22
19	3C04000105	Green button D.22
20	3C04000104	Red button D.22
21	3C04400207	Complete phase inverter PLUS STANDARD
22	3C01040112	22
23	3C01040112	23
24	3C03000305	3-pin + neutral + ground 32A surface-mount male plug
25	3C01040110	25
26	3C01040107	26
27	3C01040107	27