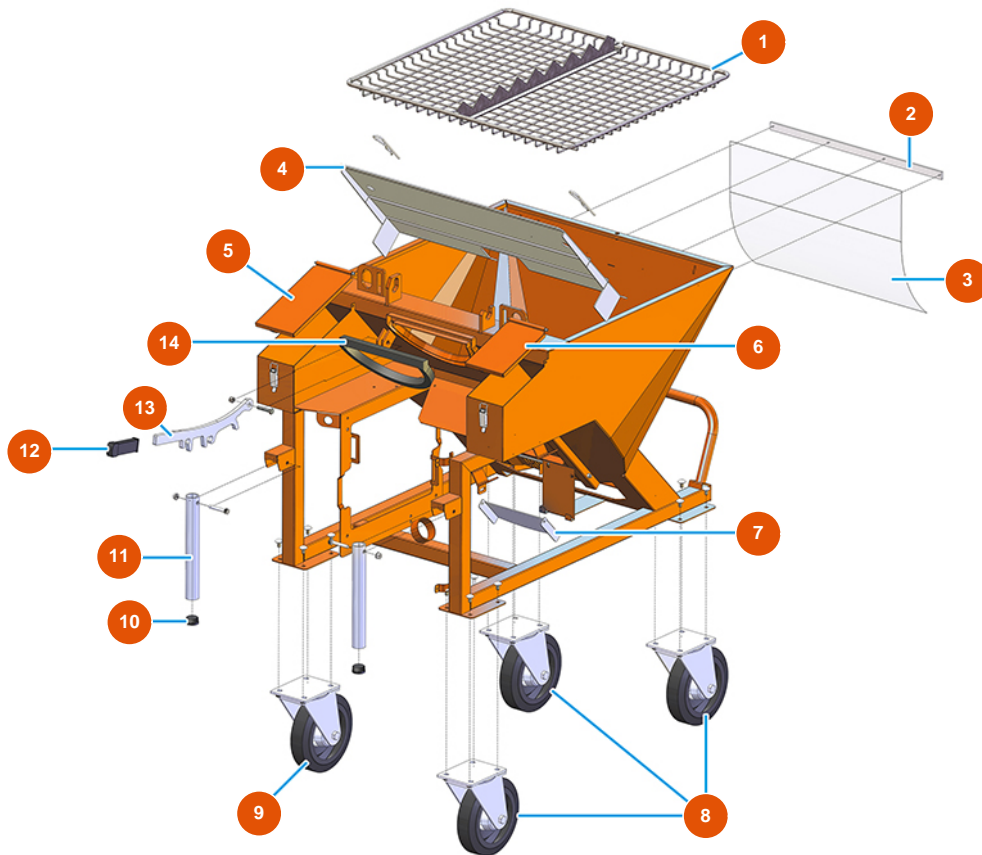


MIXER PLUS TOP continuous mixing machine - Chassis



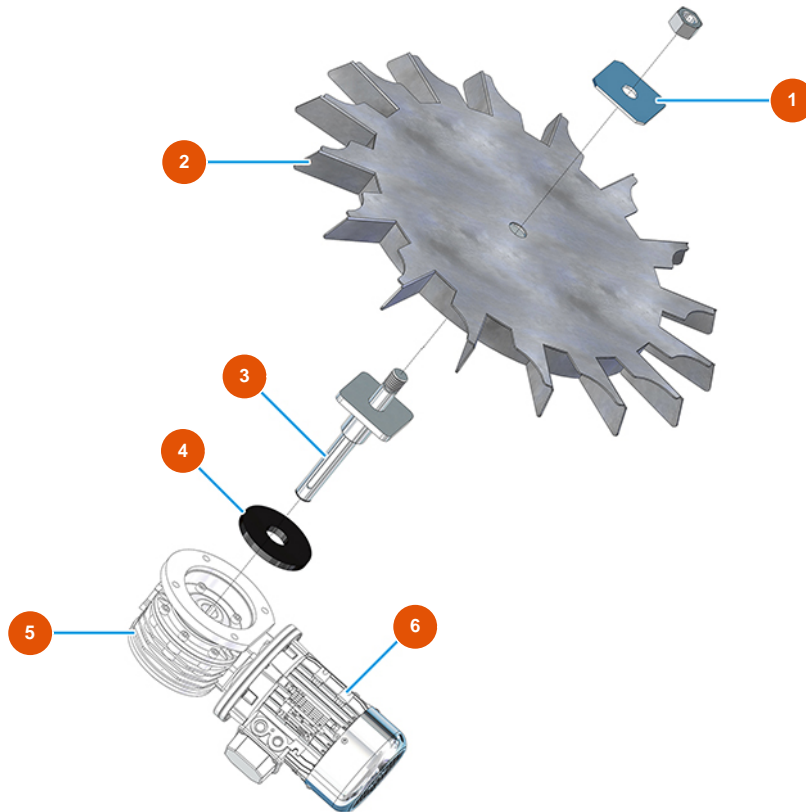
Détails des pièces

Pos.	Référence	Désignation
1	7017502000	Bag Cutter Grid for PLUS CLASSIC, STANDARD and TOP
2	4906519000	Protection tie plate PVC galvanised
3	4920001010	PVC FLEX protection 545X450X1 MOSQUITO
4	4913001500	Antipowder plate for PLUS MONO vers. 2020
5	400201500A	Drawer cover PLUS 2001 big
6	400201400A	Drawer cover PLUS 2001 small
7	401700110A	Drain door PLUS TOP galvanized
8	3F00300902	Turning wheel Ø 200/70 w/plate
9	3F00300901	Wheel Ø 200/70 revolving plate w/brake
10	3F00400400	PVC black top D.32
11	4914001000	Front lifting handle galv. PLUS
12	3T02700201	Rubber knob for lever LH-BET-PL-I41
13	4928001000	Clamping lever galv. chamber PLUS



Pos.	Référence	Désignation
14	3G01000151	EPDM seal 20X15 black

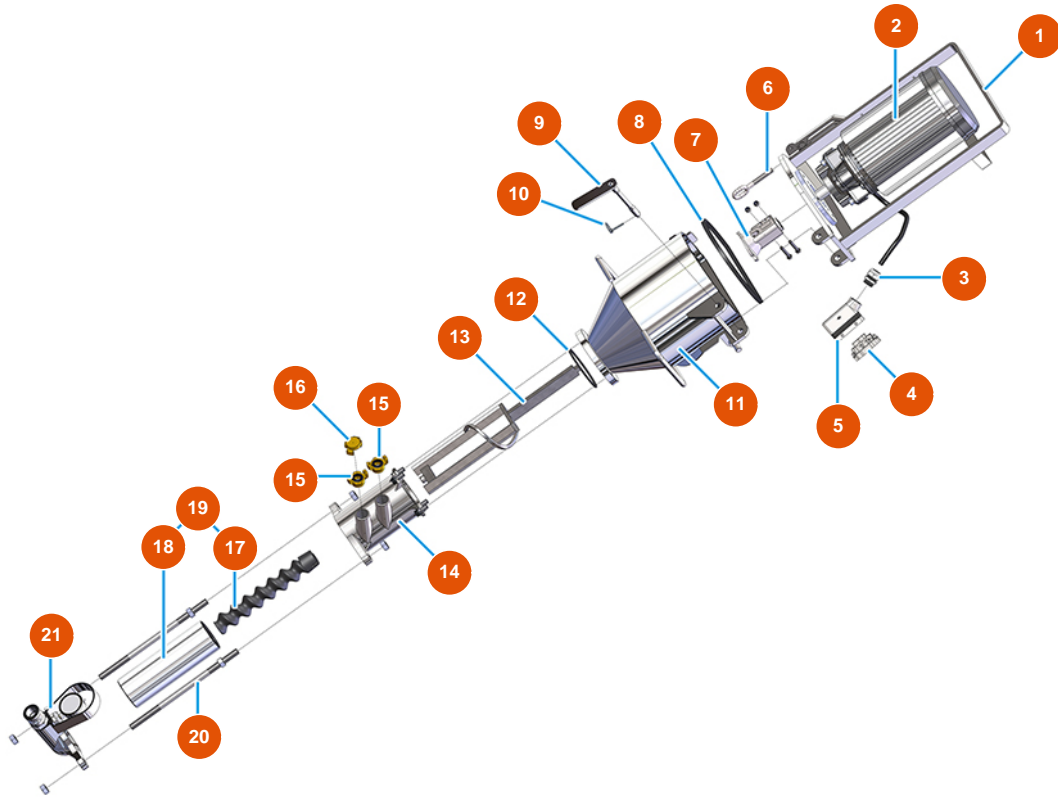
MIXER PLUS TOP continuous mixing machine - Dosage group



Détails des pièces

Pos.	Référence	Désignation
1	4912001100	Wheel scoop fixing nut galvanized
2	7019006000	Paddle wheel for PLUS CLASSIC, STANDARD, TOP e MONO vers. 2020
3	7015002000	Drive shaft for doser wheel welded
4	4920003000	4
5	3D00300312	Paddle wheel reducer for MUXER PLUS CLASSIC, STANDARD, MONO and TOP
6	3D00200201	Paddle wheel three-phased 0,55 kW Motor for PLUS CLASSIC, STANDARD, MONO and TOP

MIXER PLUS TOP continuous mixing machine - Mixing group



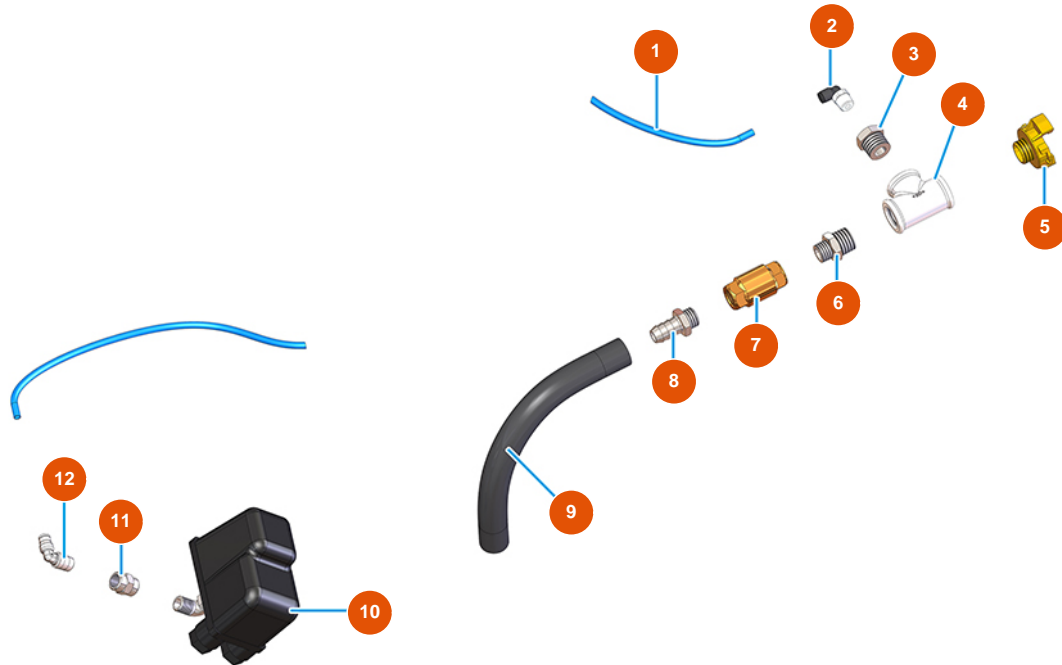
Détails des pièces

Pos.	Référence	Désignation
1	701100300G	Mixing chamber motor support for MIXER PLUS and SPRINTER
2	3D00420100	Mixing chamber gear motor for PLUS CLASSIC, STANDARD and TOP
3	3C04200208	PG21 anti-tear cable gland
4	3C02800100	Horizontal 16-pin cover
5	3C03100400	4/2-pin 80A male insert
6	3T01000400	Galvanized threaded ring lever closing 262
7	700600600S	Motor coupling for PLUS MONO, CLASSIC, STANDARD and TOP - h=30 - Ø20
8	3G01000151	EPDM seal 20X15 black
9	7018006000	Mounting trunnion flange PLUS /SPRINTER
10	3T01200101	Split pin Ø 4,5
11	701400200S	Mixing chamber for MIXER PLUS
12	3G01000301	O-ring seal for mixing chamber PLUS
13	7003019000	Mixing shaft for MIXER PLUS



Pos.	Référence	Désignation
14	7021004000	14
15	3A00100304	Male Geka coupling 1"
16	3A00100401	Geka plug
17	7009049200	MIXER 1 rotor HR
18	3F00502200	MIXER 1 straight stator - D6-3 long life
19	30771	19
20	8023003000	Tie rod M16 L = 350 F55 / 55 + screws
21	8012005000	Pump flange with male coupling for MIXER PLUS, MUSTANG and REMIX

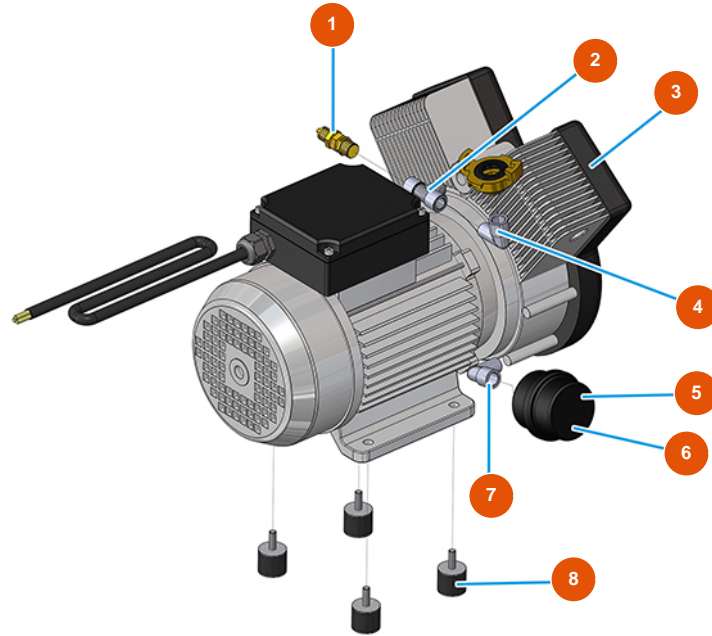
MIXER PLUS TOP continuous mixing machine - Air group



Détails des pièces

Pos.	Référence	Désignation
1	3G50500100	Hose ELASTOLLAN 6X4
2	3G50200200	Legris coupling elbow joint 6X1/4
3	3G50300100	Steel reduction 1/2X1/4
4	3G00513002	Galv. T-joint FIG.130 1/2
5	3A00100302	Male Geka coupling 1/2"
6	3G50300700	Steel reduced nipple 1/2X3/8
7	3G01300401	Valve RITEGNO EUROPA 3/8"
8	3G50300202	Hose connector 3/8"X1/4"
9	3F00700210	9
10	3G00403106	Pressure switch PT/5 0,6-2 BAR ITALT
11	3G50300900	Sleeve 1/4 1/4 30M
12	3G50300400	Stainless steel elbow joint MM 1/4"

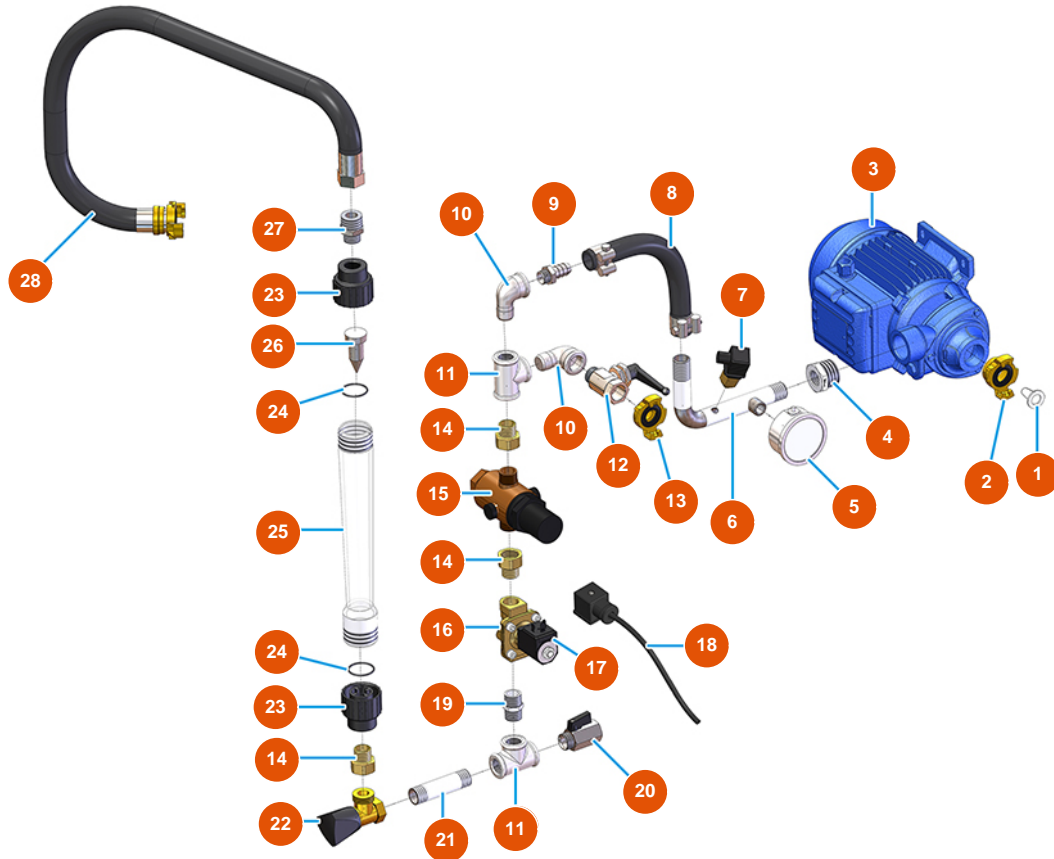
MIXER PLUS TOP continuous mixing machine - Compressor



Détails des pièces

Pos.	Référence	Désignation
1	3G01300304	Safety valve 1/4" TAR.3 BAR
2	3G50300804	T - joint FMF steel 3/8
3	3A00100301	Male Geka coupling 3/8"
4	3B02600000	GIS 400V compressor group 2 heads
5	3B02620000	Cartridge filter holder
6	3B02620010	Filter cartridge
7	3G50300500	Stainless steel elbow joint MF 1/4"
8	3T00200402	Rubber antivibration MM M8 D30 X H40 M8X23

MIXER PLUS TOP continuous mixing machine - Water group



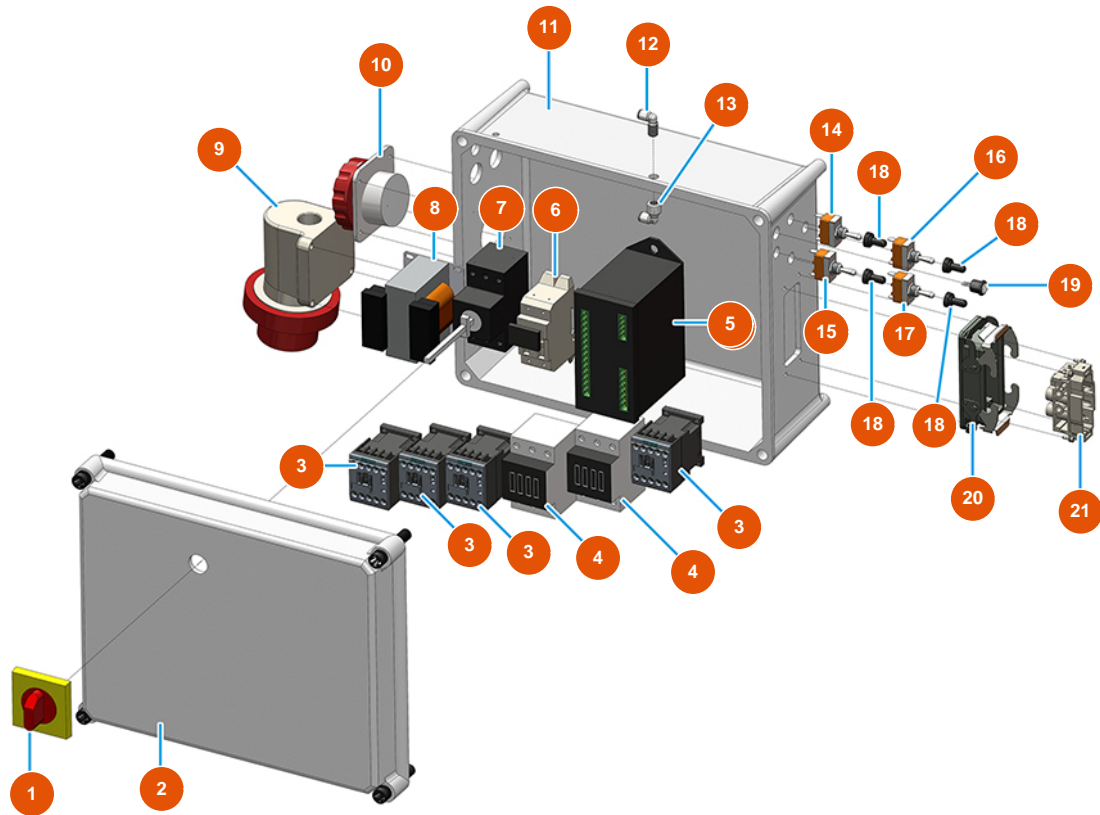
Détails des pièces

Pos.	Référence	Désignation
1	3A00100600	Inox water filter
2	3A00100304	Male Geka coupling 1"
3	3D00703002	Water pump for MIXER PLUS TOP and MUSTANG
4	3G00524105	Galvanized reduction FIG.241 1X1/2
5	3G00100141	Axial manometer 0-10 bar
6	7050001000	6
7	3G00402103	Water pressure switch
8	3F00700211	8
9	3G50300201	Hose connector 1/2"X20"
10	3G00509202	Elbow join galvanized 90° MF FIG.92 1/2"
11	3G00513002	Galv. T-joint FIG.130 1/2
12	3G01200502	Ball valve MF 1/2 black lever
13	3A00100302	Male Geka coupling 1/2"



Pos.	Référence	Désignation
14	3G01700100	14
15	3G00904100	Pressure reducer 1/2
16	3G00301300	Electrovalve NC 1/2
17	3G00301400	Coil 24VAC
18	3G00300402	Coil connector for electrovalve
19	3G00528002	Galvanized nipple FIG.280 1/2
20	3G01200301	Ball valve MF1/2" hexagonal
21	3G00553002	Galvanized extension screw 1/2 X 80
22	3G01300201	Needle valve for MIXER 35 1/2 tap syr
23	3G01100303	PVC coupling for 150-1500 flowmeter
24	3G01100305	O-ring seal for 150-1500 flowmeter
25	3G01100302	150-1500 measuring tube
26	3G01100304	Dosing lead for 150-1500 flowmeter
27	3G50300704	Steel reduced nipple 3/4X1/2
28	8002008002	Tube radiator SPG D.18X28 L=635 w/conn

MIXER PLUS TOP continuous mixing machine - Electrical box



Détails des pièces

Pos.	Référence	Désignation
1	3C01300207	Maneuver x ABB red/yellow IP64 MS1
2	3C00110154	2
3	3C00700107	Contacteur ABB A8-30-01 4KW
4	3C00700307	Contacteur ABB A16-30-01 7,5KW
5	3C03201510	Black box programmer for PLUS TOP
6	3C05050500	Fuse holder unipolar 10,3X38
7	3C01030108	ABB-MS325 20A magnetic
8	3C00500402	Transformer 70/80VA 400/42/24/15
9	3C03000305	3-pin + neutral + ground 32A surface-mount male plug
10	3C02600203	3-pin+gr female inclined plug 16A GW 62231
11	3C00110454	11
12	3G50200201	Legris coupling elbow joint 6X1/8 M
13	3G50200103	Legris coupling 6X1/8 F 3114



Pos.	Référence	Désignation
14	3C01800500	Commutator switch 1-0 T115 A-A
15	3C01800800	Commutator switch 1-0-1 T215 T-A
16	3C01800100	Commutator switch 1-0-1 T115 E-A
17	3C01800200	Commutator switch (1)-0-(1) FASTON T115 G-A
18	3C02100100	Rubber protection for switch
19	8055000100	Led / led hose D.10 MM
20	3C02800502	16-pin socket base with 2 levers
21	3C02700700	10-pin female insert 16A 400V CNF 10