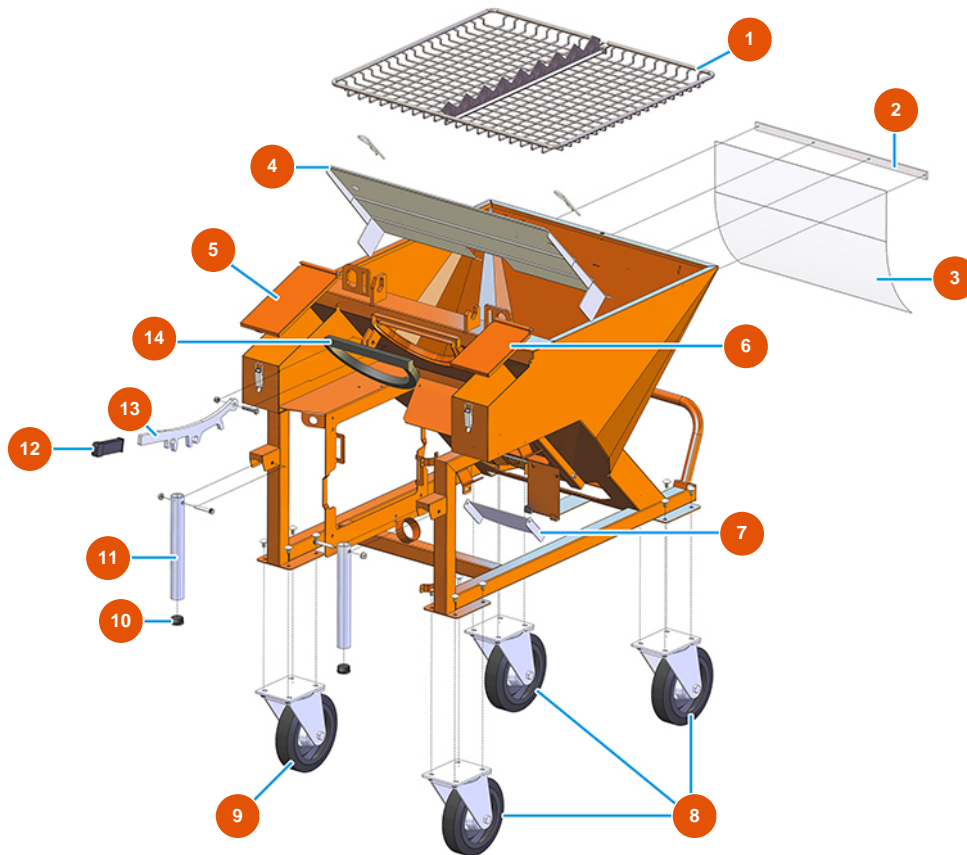


## MIXER PLUS MONO Plaster continuous mixing machine - 2,2 kW - General view



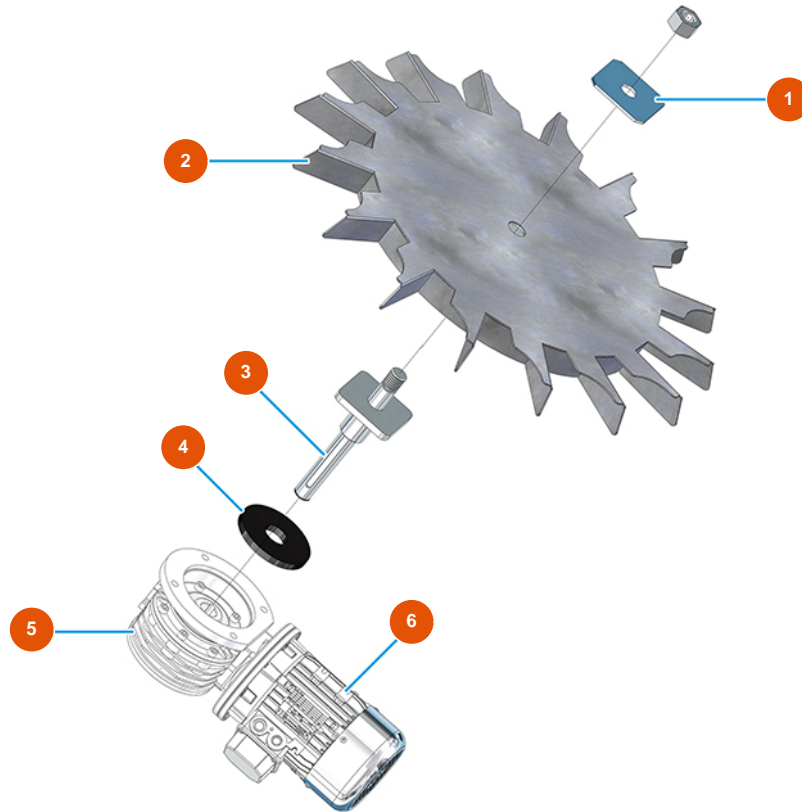
### Détails des pièces

Pos.	Référence	Désignation
1	7017501000	Bag cutter grid for PLUS MONO
2	4906519000	Protection tie plate PVC galvanised
3	4920001010	PVC FLEX protection 545X450X1 MOSQUITO
4	4913001500	Antipowder plate for PLUS MONO vers. 2020
5	400201500A	Drawer cover PLUS 2001 big
6	400201400A	Drawer cover PLUS 2001 small
7	401700110A	Drain door PLUS TOP galvanized
8	3F00300902	Turning wheel Ø 200/70 w/plate
9	3F00300901	Wheel Ø 200/70 revolving plate w/brake
10	3F00400400	PVC black top D.32
11	4914001000	Front lifting handle galv. PLUS
12	3T02700201	Rubber knob for lever LH-BET-PL-I41
13	4928001000	Clamping lever galv. chamber PLUS



Pos.	Référence	Désignation
14	3G01000151	EPDM seal 20X15 black

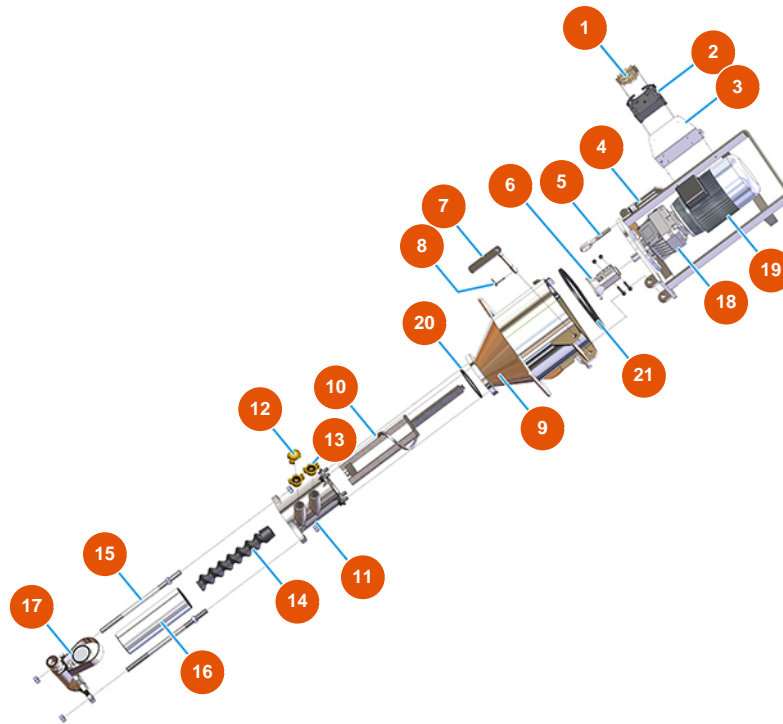
## MIXER PLUS MONO Plaster continuous mixing machine - 2,2 kW - Dosage group



### Détails des pièces

Pos.	Référence	Désignation
1	4912001100	Wheel scoop fixing nut galvanized
2	7019006000	Paddle wheel for PLUS CLASSIC, STANDARD, TOP e MONO vers. 2020
3	7015002000	Drive shaft for doser wheel welded
4	4920003000	4
5	3D00300310	Paddle wheel reducer for PLUS MONO
6	3D00201001	Paddle wheel three-phased 0,25 kW motor for PLUS MONO

## MIXER PLUS MONO Plaster continuous mixing machine - 2,2 kW - Pump group



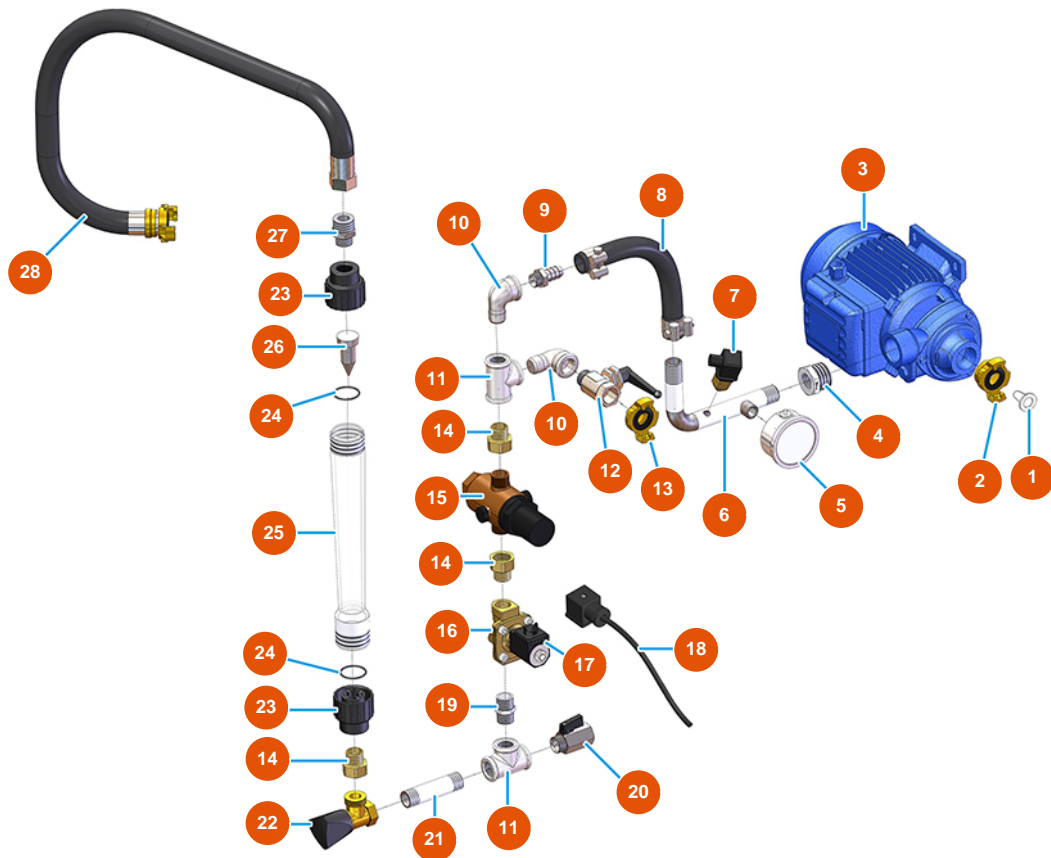
### Détails des pièces

Pos.	Référence	Désignation
1	3C03100400	4/2-pin 80A male insert
2	3C02800400	16-pin surface-mount cover with 2 levers
3	4906511000	Protection bent plate plug 76X83 galv.
4	701100300G	Mixing chamber motor support for MIXER PLUS and SPRINTER
5	3T01000400	Galvanized threaded ring lever closing 262
6	700600650S	Motor coupling for PLUS MONO, SPRINTER and REMIX - h=25 - Ø20
7	7018006000	Mounting trunnion flange PLUS /SPRINTER
8	3T01200101	Split pin Ø 4,5
9	701400200S	Mixing chamber for MIXER PLUS
10	7003019000	Mixing shaft for MIXER PLUS
11	7021004000	11
12	3A00100401	Geka plug
13	3A00100304	Male Geka coupling 1"



Pos.	Référence	Désignation
14	7009012000	MIXER 26 rotor
15	8023003000	Tie rod M16 L = 350 F55 / 55 + screws
16	3F00501300	MIXER 26 straight stator - D4-2
17	8012005000	Pump flange with male coupling for MIXER PLUS, MUSTANG and REMIX
18	3D00310101	Mixing chamber reducer for MIXER LIGHT, PLUS MONO, SPRINTER and CD 25
19	3D00200710	Mixing chamber three-phased 2,2 kW motor
20	3G01000301	O-ring seal for mixing chamber PLUS
21	3G01000151	EPDM seal 20X15 black

## MIXER PLUS MONO Plaster continuous mixing machine - 2,2 kW - Water group



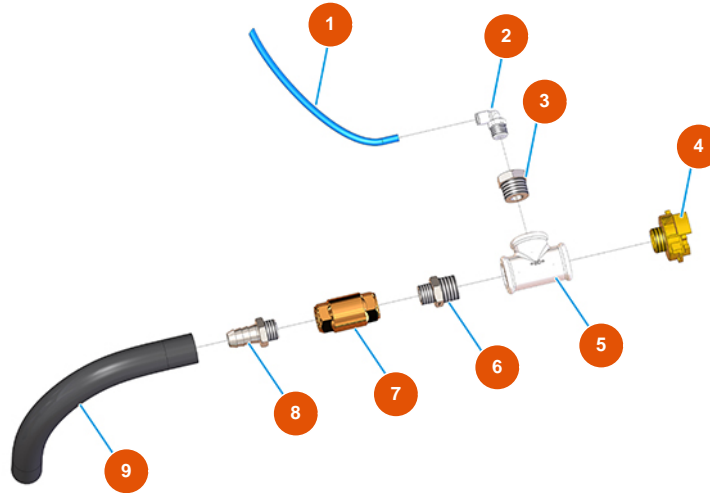
### Détails des pièces

Pos.	Référence	Désignation
1	3A00100600	Inox water filter
2	3A00100304	Male Geka coupling 1"
3	3D00703001	Water pump for PLUS MONO and SPRINTER
4	3G00524105	Galvanized reduction FIG.241 1X1/2
5	3G00100141	Axial manometer 0-10 bar
6	7050001000	6
7	3G00402103	Water pressure switch
8	8002008002	Tube radiator SPG D.18X28 L=635 w/conn
9	3G50300201	Hose connector 1/2"X20"
10	3G00509202	Elbow join galvanized 90° MF FIG.92 1/2"
11	3G00513002	Galv. T-joint FIG.130 1/2
12	3G01200502	Ball valve MF 1/2 black lever
13	3A00100302	Male Geka coupling 1/2"



Pos.	Référence	Désignation
14	3G01700100	14
15	3G00904100	Pressure reducer 1/2
16	3G00301300	Electrovalve NC 1/2
17	3G00301400	Coil 24VAC
18	3G00300402	Coil connector for electrovalve
19	3G00528002	Galvanized nipple FIG.280 1/2
20	3G01200301	Ball valve MF1/2" hexagonal
21	3G00553002	Galvanized extension screw 1/2 X 80
22	3G01300201	Needle valve for MIXER 35 1/2 tap syr
23	3G01101011	PVC coupling for 75/750 - 150/1500 double scale flowmeter
24	3G01101013	O-ring seal for double scale 75/750 - 150/1500 flowmeter
25	3G01101010	75/750 - 150/1500 double scale measuring tube
26	4055000000	Dosing lead for 75/750 flowmeter
27	3G50300704	Steel reduced nipple 3/4X1/2
28	8002008002	Tube radiator SPG D.18X28 L=635 w/conn

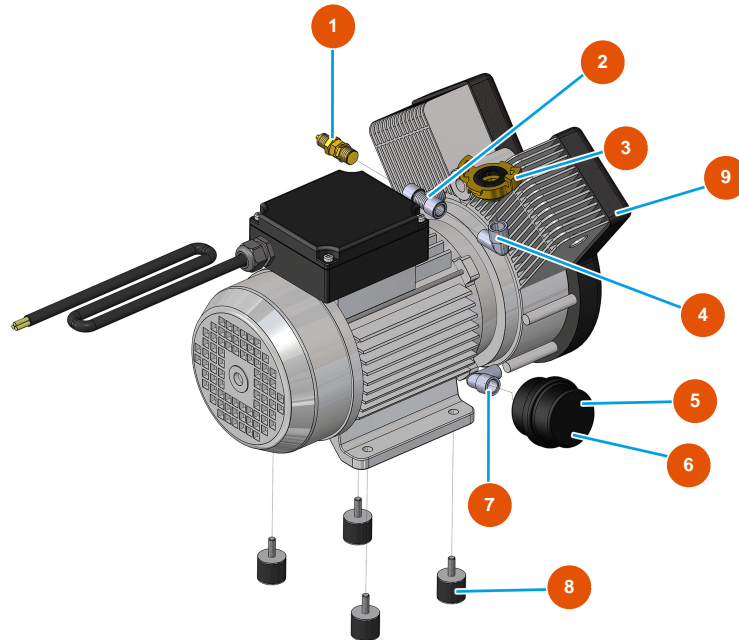
## MIXER PLUS MONO Plaster continuous mixing machine - 2,2 kW - Air group



### Détails des pièces

Pos.	Référence	Désignation
1	3G50500100	Hose ELASTOLLAN 6X4
2	3G50200200	Legris coupling elbow joint 6X1/4
3	3G50300100	Steel reduction 1/2X1/4
4	3A00100302	Male Geka coupling 1/2"
5	3G00513002	Galv. T-joint FIG.130 1/2
6	3G50300700	Steel reduced nipple 1/2X3/8
7	3G01300401	Valve RITEGNO EUROPA 3/8"
8	3G50300202	Hose connector 3/8"X14"
9	3F00700210	9

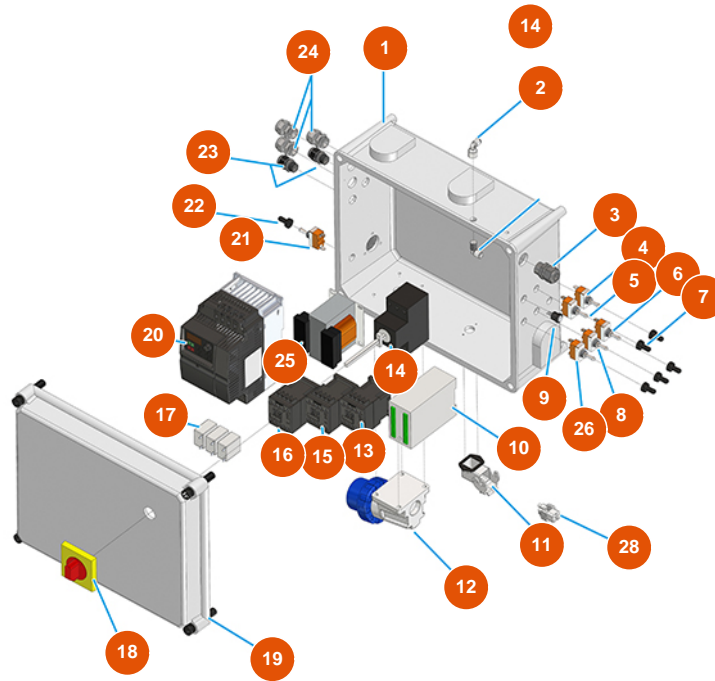
## MIXER PLUS MONO Plaster continuous mixing machine - 2,2 kW - Compressor group



### Détails des pièces

Pos.	Référence	Désignation
1	3G01300304	Safety valve 1/4" TAR.3 BAR
2	3G50300804	T - joint FMF steel 3/8
3	3A00100301	Male Geka coupling 3/8"
4	3G50300503	Steel elbow MF 3/8"
5	3B02620000	Cartridge filter holder
6	3B02620010	Filter cartridge
7	3G50300500	Stainless steel elbow joint MF 1/4"
8	3T00200402	Rubber antivibration MM M8 D30 X H40 M8X23
9	3B02500000	Single-phase compressor 2 heads 230V

## MIXER PLUS MONO Plaster continuous mixing machine - 2,2 kW - Electric panel



### Détails des pièces

Pos.	Référence	Désignation
1	3C00110458	1
2	3G50400201	Air connection 90GR M 1/8
3	3C04200200	PG16 anti-tear cable gland
4	3C01800500	Commutator switch 1-0 T115 A-A
5	3C01800100	Commutator switch 1-0-1 T115 E-A
6	3C01800200	Commutator switch (1)-0-(1) FASTON T115 G-A
7	3C02100100	Rubber protection for switch
8	3C01800403	Commutator switch 1-0 T215 R-A
9	8055000100	Led / led hose D.10 MM
10	3C03201590	Black box programmer for PLUS MONO
11	3C02800500	Bend socket base CK03IA
12	3C03000103	2-pin + ground 16A surface-mount male plug

Pos.	Référence	Désignation
13	3C00700106	Contacteur ABB A8-30-10 4KW 24 VAC
14	3C01030108	ABB-MS325 20A magnetic
15	3C00700106	Contacteur ABB A8-30-10 4KW 24 VAC
16	3C00700106	Contacteur ABB A8-30-10 4KW 24 VAC
17	3C00500502	Transformer AMPEROM.25A R=1:200
18	3C01300207	Maneuver x ABB red/yellow IP64 MS1
19	3C00110100	19
20	3C05100107	Mono inverter 230V 2,2Kw MOSQUITO/PLUS
21	3C01800100	Commutator switch 1-0-1 T115 E-A
22	3C02100100	Rubber protection for switch
23	3C04200201	PG.9 anti-tear cable gland
24	3C04200211	PG11 anti-tear cable gland
25	3C00500101	Transformer 40VA P.230 SEC.16/24V
26	3C01800200	Commutator switch (1)-0-(1) FASTON T115 G-A
28	3C02700200	4-pin + ground 10A female insert