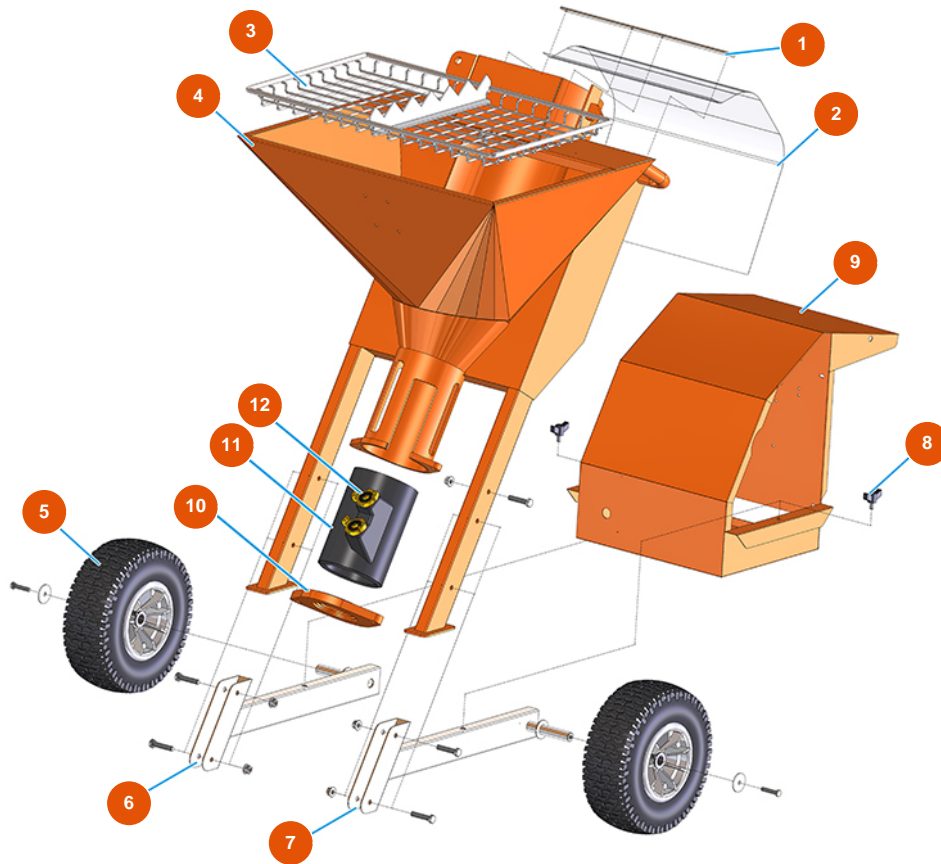


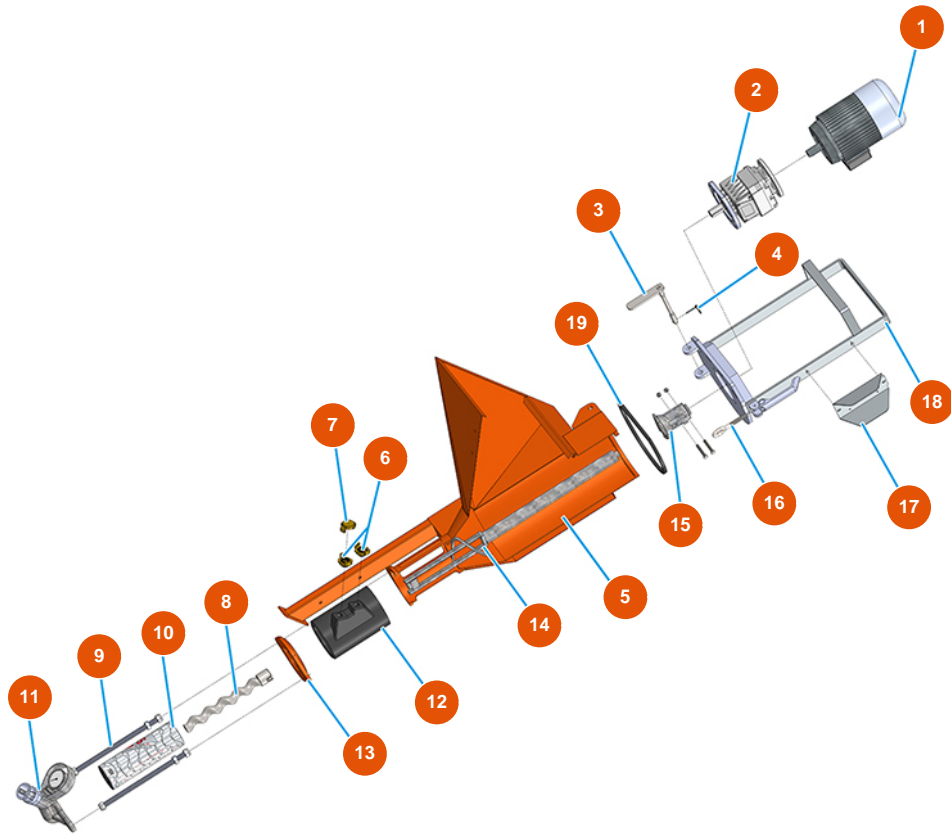
MIXER SPRINTER E.W.I. continuous mixing machine - General view



Détails des pièces

Pos.	Référence	Désignation
1	4023001800	Galvanized tie plate PVC protection
2	4920001010	PVC FLEX protection 545X450X1 MOSQUITO
3	7017506100	Bag Cutter Grid for SPRINTER
4	701202120A	4
5	3F00301109	Inflatable wheel 13 X 5.00
6	7013025001	L Leg chassis MOSQUITO galvanized
7	7013025000	R Leg chassis MOSQUITO galvanized
8	3T01505001	Butterfly screw M8 x 15
9	402300460A	9
10	400210230A	Support for mixing chamber MIXER PLUS vers. 2020
11	4002103000	Polyurethane mixing chamber for MIXER PLUS and SPRINTER vers. 2020
12	3A00100302	Male Geka coupling 1/2"

MIXER SPRINTER E.W.I. continuous mixing machine - Mixing group



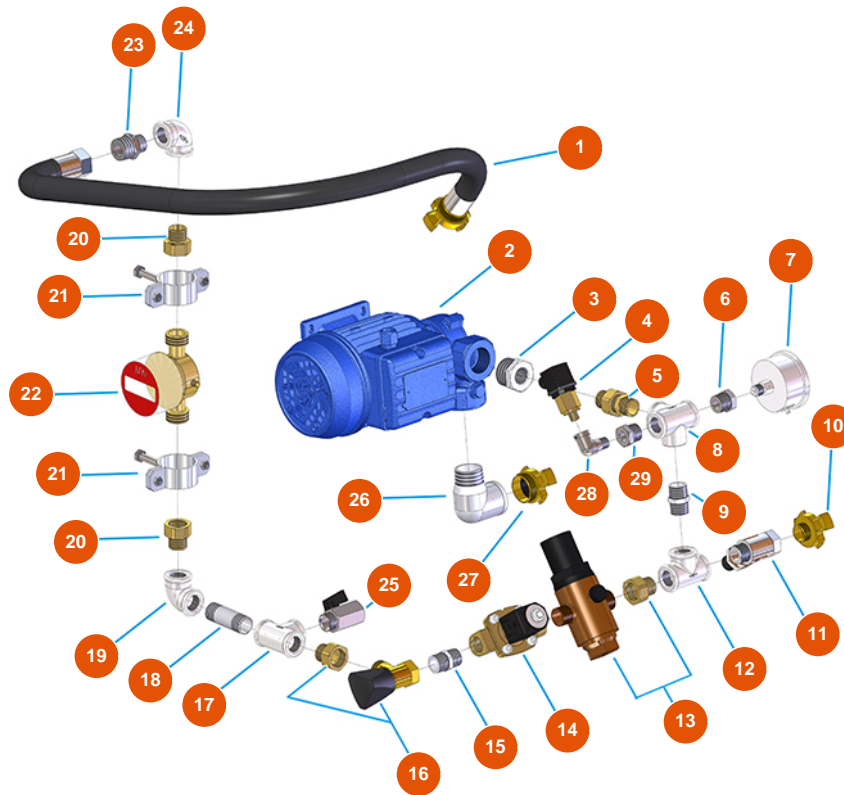
Détails des pièces

Pos.	Référence	Désignation
1	3D00200710	Mixing chamber three-phased 2,2 kW motor
2	3D00310101	Mixing chamber reducer for MIXER LIGHT, PLUS MONO, SPRINTER and CD 25
3	701800600	3
4	3T01200101	Split pin Ø 4,5
5	701202120A	5
6	3A00100302	Male Geka coupling 1/2"
7	3A00100401	Geka plug
8	7009049700	MIXER 13 rotor
9	8023003000	Tie rod M16 L = 350 F55 / 55 + screws
10	3F00503000	MIXER 13 straight stator - D4-3 / D4-1/2
11	8012006000	Pump flange for SPRINTER and LIGHT
12	4002103000	Polyurethane mixing chamber for MIXER PLUS and SPRINTER vers. 2020
13	400210230A	Support for mixing chamber MIXER PLUS vers. 2020



Pos.	Référence	Désignation
14	7003020000	Mixing shaft for SPRINTER
15	700600650S	Motor coupling for PLUS MONO, SPRINTER and REMIX - h=25 - Ø20
16	3T01000400	Galvanized threaded ring lever closing 262
17	4906511000	Protection bent plate plug 76X83 galv.
18	701100300G	Mixing chamber motor support for MIXER PLUS and SPRINTER
19	3G01000151	EPDM seal 20X15 black

MIXER SPRINTER E.W.I. continuous mixing machine - Water group

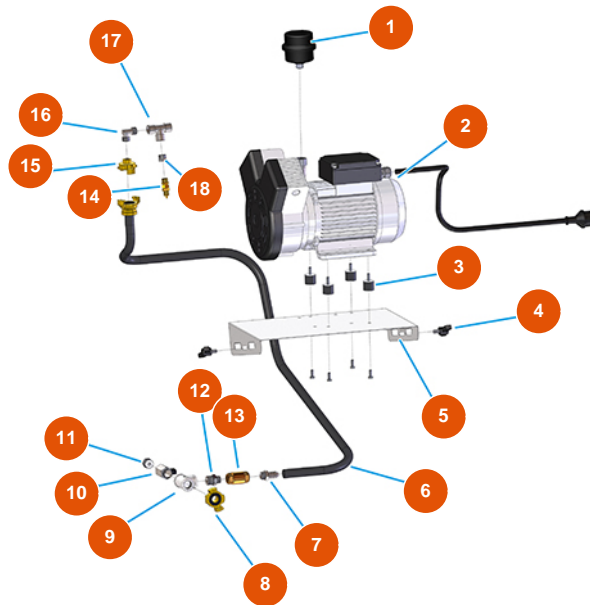


Détails des pièces

Pos.	Référence	Désignation
1	8002008004	Radiator hose SPG Ø 18X28 L=700 with coupling
2	3D00703001	Water pump for PLUS MONO and SPRINTER
3	3G00524105	Galvanized reduction FIG.241 1X1/2
4	3G00402103	Water pressure switch
5	3G50301201	3-pieces connector M-M OR 1/2-1/2 FIG.7
6	3G50300101	Steel reduction 1/4X1/8
7	3G00100141	Axial manometer 0-10 bar
8	3G00522302	T- joint galvanized FIG.223 1/2
9	3G00528002	Galvanized nipple FIG.280 1/2
10	3A00100302	Male Geka coupling 1/2"
11	3G01200502	Ball valve MF 1/2 black lever
12	3G00513002	Galv. T-joint FIG.130 1/2
13	3G00904100	Pressure reducer 1/2

Pos.	Référence	Désignation
14	3G00301300	Electrovalve NC 1/2
15	3G00528002	Galvanized nipple FIG.280 1/2
16	3G01300201	Needle valve for MIXER 35 1/2 tap syr
17	3G00513002	Galv. T-joint FIG.130 1/2
18	3G00553006	Galvanized extension screw 1/2 X 60
19	3G00509002	Elbow join galvanized 90° FF FIG.90 1/2"
20	3G01700300	3 piece connector MF (I1)
21	3G01600101	Collar 1"
22	3G01100102	Digital flowmeter
23	3G50300704	Steel reduced nipple 3/4X1/2
24	3G00509002	Elbow join galvanized 90° FF FIG.90 1/2"
25	3G01200301	Ball valve MF1/2" hexagonal
26	3G00509204	Elbow join galvanized 90° MF FIG.92 1"
27	3A00100304	Male Geka coupling 1"
28	3G50300500	Stainless steel elbow joint MF 1/4"
29	3G50300100	Steel reduction 1/2X1/4

MIXER SPRINTER E.W.I. continuous mixing machine - Air group



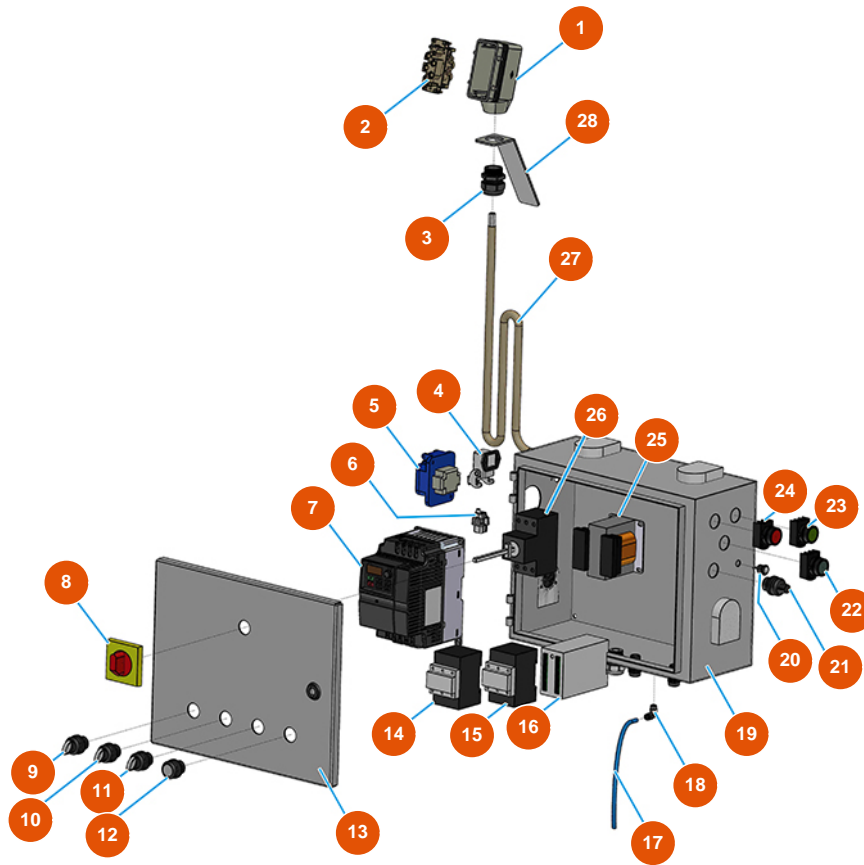
Détails des pièces

Pos.	Référence	Désignation
1	3B02620000	Cartridge filter holder
2	3B02500000	Single-phase compressor 2 heads 230V
3	3T00200106	Rubber antivibration MF M6X18 25X20
4	3T01505001	Butterfly screw M8 x 15
5	4023000601	Group support compr. MOSQUITO TOP galv.
6	3F00700820	Hose EPDM 13X19 L=1100+1 Geka coup.
7	3G50300202	Hose connector 3/8"X14"
8	3A00100302	Male Geka coupling 1/2"
9	3G00513002	Galv. T-joint FIG.130 1/2
10	3G01200102	Tap MINIBALL M/F 1/4"
11	3G50200100	Legris coupling in-line 6X1/4 3175
12	3G50300700	Steel reduced nipple 1/2X3/8
13	3G01300401	Valve RITEGNO EUROPA 3/8"



Pos.	Référence	Désignation
14	3G01300304	Safety valve 1/4" TAR.3 BAR
15	3A00100201	Female Geka coupling 3/8"
16	3G50300503	Steel elbow MF 3/8"
17	3G50300800	Steel T-joint MFF 3/8
18	3G50300110	Steel reduction 3/8"-1/4"

MIXER SPRINTER E.W.I. continuous mixing machine - Electric panel - vers. 2021

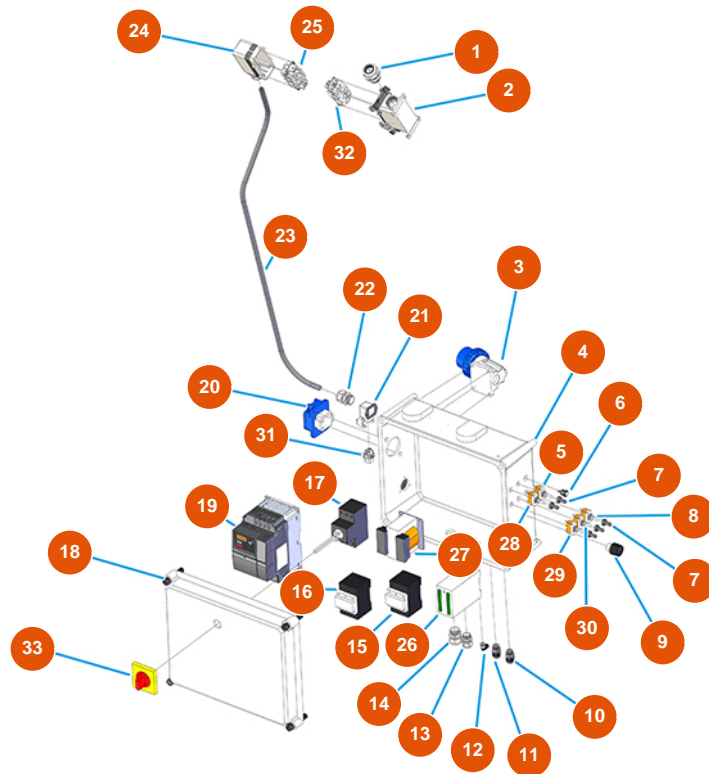


Détails des pièces

Pos.	Référence	Désignation
1	3C02800100	Horizontal 16-pin cover
2	3C02700600	4/2-pin 80A female insert
3	3C04200200	PG16 anti-tear cable gland
4	3C02800500	Bend socket base CK03IA
5	3C02601001	Interlocking socket SCHUKO PALAZZOLI
6	3C02700200	4-pin + ground 10A female insert
7	3C05100107	Mono inverter 230V 2,2Kw MOSQUITO/PLUS
8	3C01300207	Maneuver x ABB red/yellow IP64 MS1
9	3C01403110	2-position switch
10	3C01403110	2-position switch
11	3C01403100	3-position switch
12	3C04000120	White button

Pos.	Référence	Désignation
13	3C00107100	13
14	3C00700117	Counter 4 KW 24V AC SIEMENS
15	3C00700117	Counter 4 KW 24V AC SIEMENS
16	3C03202500	Black box programmer SPRINTER
17	3G50500100	Hose ELASTOLLAN 6X4
18	3G50400202	Air connection 90GR F 1/8
19	3C00107100	19
20	8055000100	Led / led hose D.10 MM
21	3C00300400	Potentiometer 4,7 K-OHM
22	3C04000118	Blue button D.22
23	3C04000105	Green button D.22
24	3C04000104	Red button D.22
25	3C00500101	Transformer 40VA P.230 SEC.16/24V
26	3C01030108	ABB-MS325 20A magnetic
27	3C03900008	CVVF 18BR 7x2.5 electric cable
28	4906512000	Plate 40X190 support plug ILME

MIXER SPRINTER E.W.I. continuous mixing machine - Electric panel (until 12/2020)



Détails des pièces

Pos.	Référence	Désignation
1	3C04200208	PG21 anti-tear cable gland
2	3C02800400	16-pin surface-mount cover with 2 levers
3	3C03000103	2-pin + ground 16A surface-mount male plug
4	3C00110464	4
5	3C01801000	Commutator switch 1-0 T115 F-A
6	8055000100	Led / led hose D.10 MM
7	3C02100100	Rubber protection for switch
8	3C01800200	Commutator switch (1)-0-(1) FASTON T115 G-A
9	3C00300101	Simple linear potentiometer 5K
10	3C04200201	PG.9 anti-tear cable gland
11	3C04200201	PG.9 anti-tear cable gland
12	3G50200201	Legris coupling elbow joint 6X1/8 M

Pos.	Référence	Désignation
13	3C04200205	13
14	3C04200206	14
15	3C00700110	15
16	3C00700117	Counter 4 KW 24V AC SIEMENS
17	3C01030108	ABB-MS325 20A magnetic
18	3C00110163	18
19	3C05100107	Mono inverter 230V 2,2Kw MOSQUITO/PLUS
20	3C02601001	Interlocking socket SCHUKO PALAZZOLI
21	3C02800500	Bend socket base CK03IA
22	3C04200206	22
23	3C03900008	CVVF 18BR 7x2.5 electric cable
24	3C02800100	Horizontal 16-pin cover
25	3C02700600	4/2-pin 80A female insert
26	3C03202500	Black box programmer SPRINTER
27	3C00500101	Transformer 40VA P.230 SEC.16/24V
28	3C01800402	Lever commutator switch T315N-A ON-ON
29	3C01800500	Commutator switch 1-0 T115 A-A
30	3C01800100	Commutator switch 1-0-1 T115 E-A
31	3C02700200	4-pin + ground 10A female insert
32	3C03100400	4/2-pin 80A male insert
33	3C01300207	Maneuver x ABB red/yellow IP64 MS1