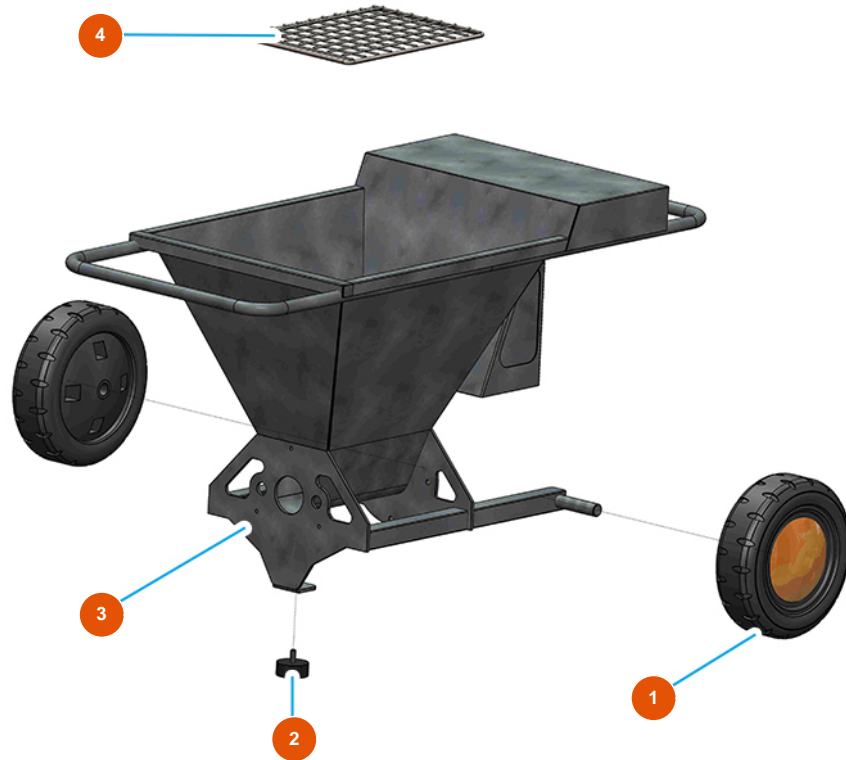


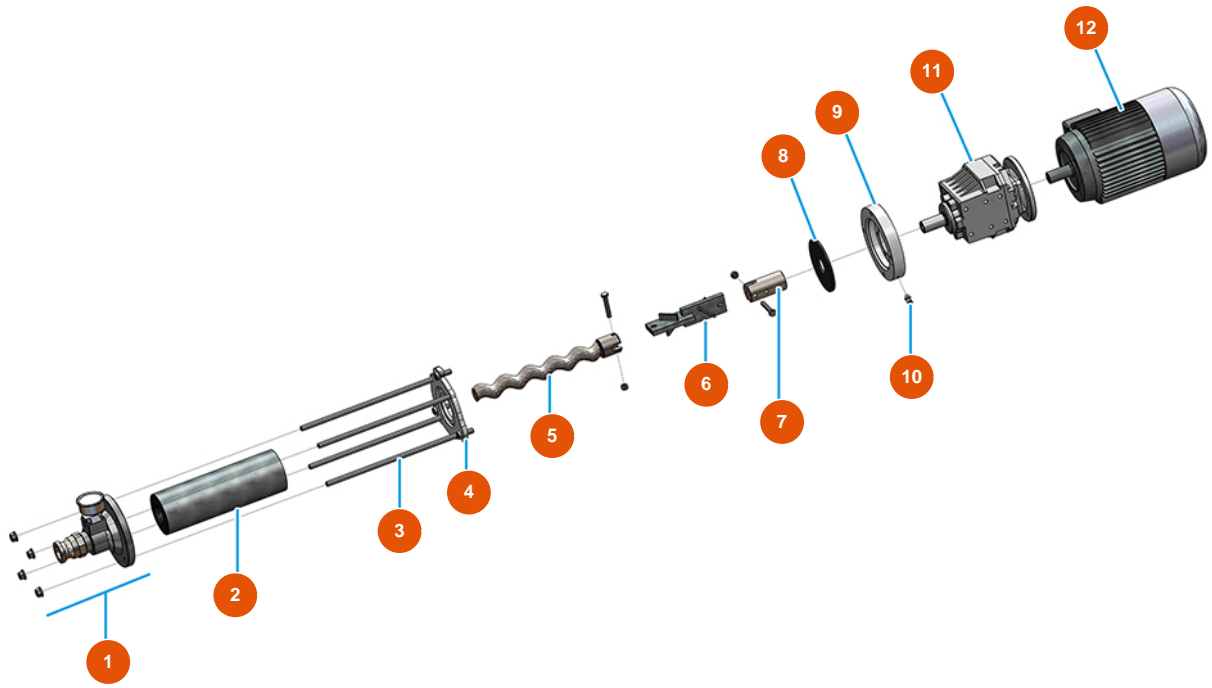
OPTIMIX 10 spraying machine for adhesive - General view



Détails des pièces

Pos.	Référence	Désignation
1	3F00300208	Wheel Ø260/85 mm rubber
2	3T00200309	Anti-vibration foot 50X20M10X2
3	701201900A	3
4	7017505000	4

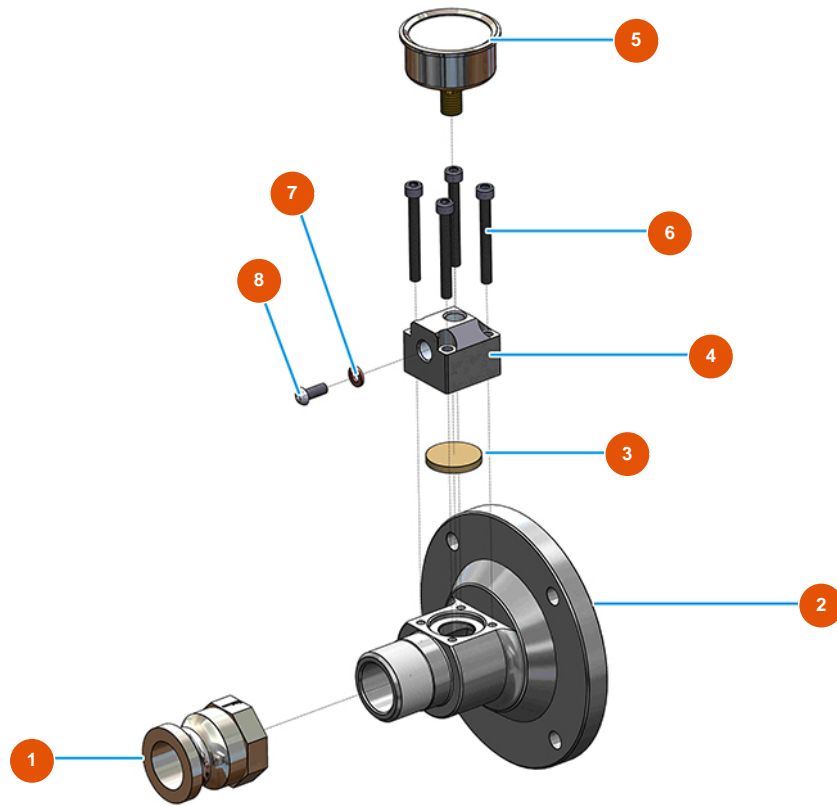
OPTIMIX 10 spraying machine for adhesive - Mixing group



Détails des pièces

Pos.	Référence	Désignation
1	8012009000	Stator holder with pressure meter
2	3F00501300	MIXER 26 straight stator - D4-2
3	3B03251020	Tie rods for stator holder
4	401140290Z	Galvanized flange for finishing for OPTIMIX 10
5	7009011900	MIXER 26 rotor slit and holed head
6	7003028000	Galvanized mixing shaft for OPTIMIX 10
7	4011401410	Motor coupling for OPTIMIX 10
8	4020002800	Seal MIXER 35
9	4011401700	Motor coupling for OPTIMIX 10
10	3T01700101	10
11	3D00300151	Reducer for OPTIMIX 10
12	3D00200710	Mixing chamber three-phased 2,2 kW motor

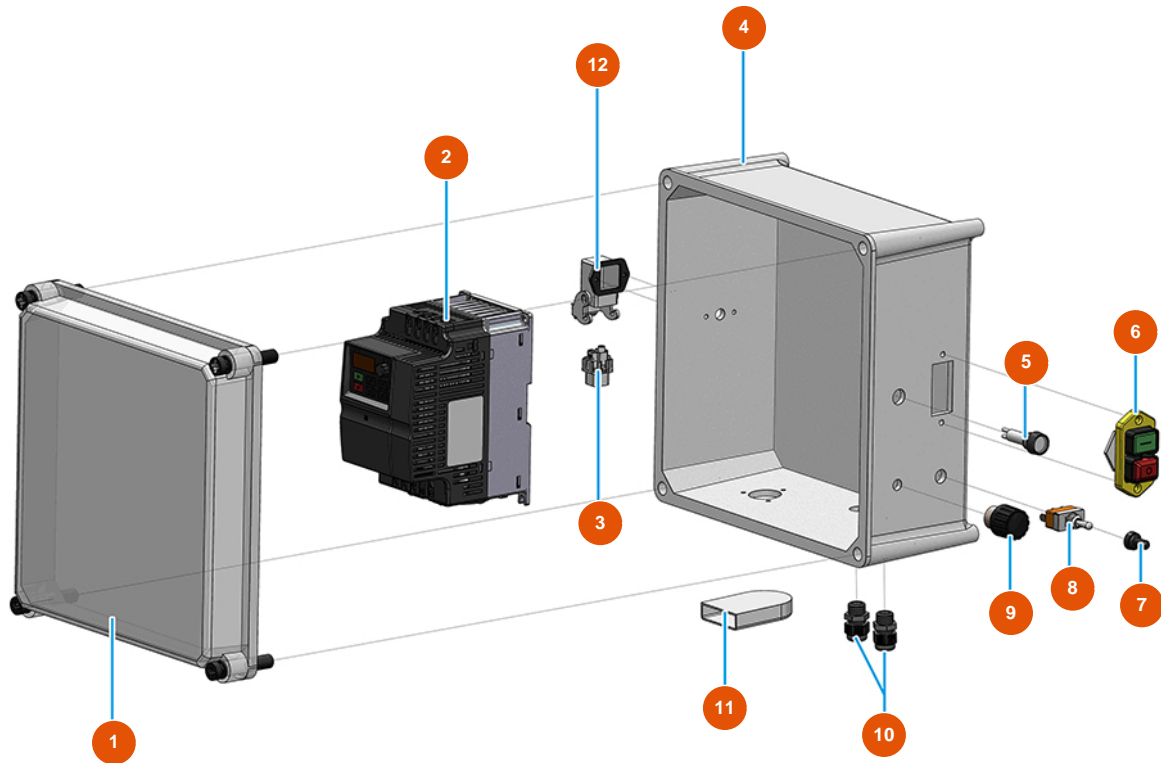
OPTIMIX 10 spraying machine for adhesive - Output flange



Détails des pièces

Pos.	Référence	Désignation
1	3A00300105	Male camelock 25 X 1"1/4
2	EUM10592	Output flange 1" for OPTIMIX 10
3	EU12913	Pump nose manometer membrane
4	EUM10079	Cover for MIXPRO 14
5	EU80070	Axial manometer 1/4" conical oil 50 mm 0 to 60 bar
6	EU90996	6 x 20 inox cylindrical head screw
7	EU12765	Copper seal for pump nose
8	EU12625	6 x 8 cylindrical head screw

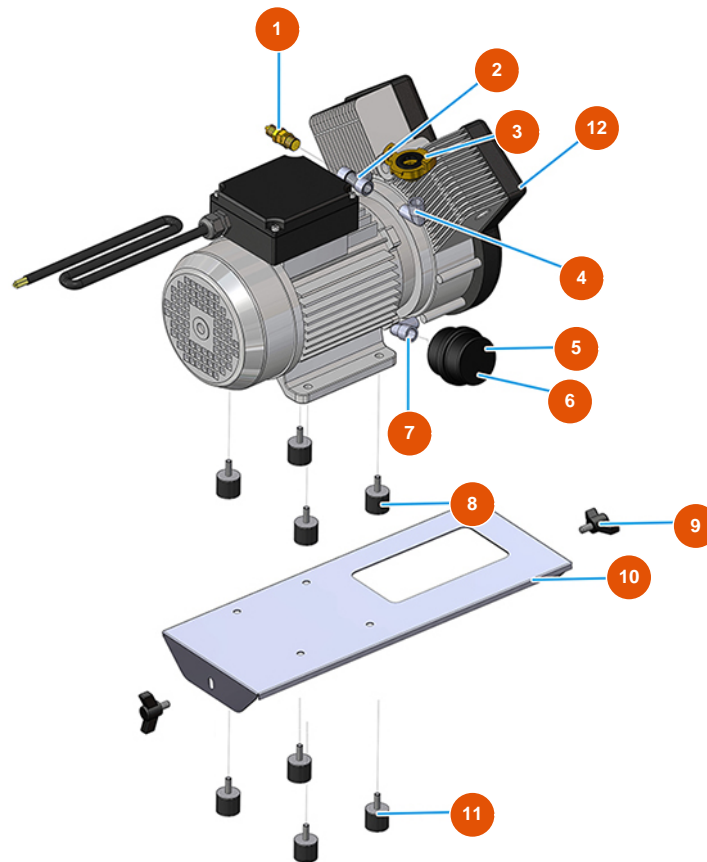
OPTIMIX 10 spraying machine for adhesive - Electric panel



Détails des pièces

Pos.	Référence	Désignation
1	3C00110110	1
2	3C05100161	Inverter Fuji Frenic-mini C2 2.2 KW 230V
3	3C02700200	4-pin + ground 10A female insert
4	3C00110401	4
5	3C02400900	White light alarm 230V SIGNALUX
6	3C01403000	Bipolar switch 230V
7	3C02100100	Rubber protection for switch
8	3C01800800	Commutator switch 1-0-1 T215 T-A
9	3C00300400	Potentiometer 4,7 K-OHM
10	3C04200202	PG.13.5 anti-tear cable gland
11	3C00130101	Basic ventilation kit APO 71 (2 PE)
12	3C02800500	Bend socket base CK03IA

OPTIMIX 10 spraying machine for adhesive - Compressor



Détails des pièces

Pos.	Référence	Désignation
1	3G01300304	Safety valve 1/4" TAR.3 BAR
2	3G50300804	T - joint FMF steel 3/8
3	3A00100301	Male Geka coupling 3/8"
4	3G50300503	Steel elbow MF 3/8"
5	3B02620000	Cartridge filter holder
6	3B02620010	Filter cartridge
7	3G50300500	Stainless steel elbow joint MF 1/4"
8	3T00200202	Rubber antivibration MF M8 30X30
9	3T01505001	Butterfly screw M8 x 15
10	4011403300	Optimix 10 compressor support 2021
11	3T00200307	Anti-vibration foot 30X10 M8
12	3B02500000	Single-phase compressor 2 heads 230V