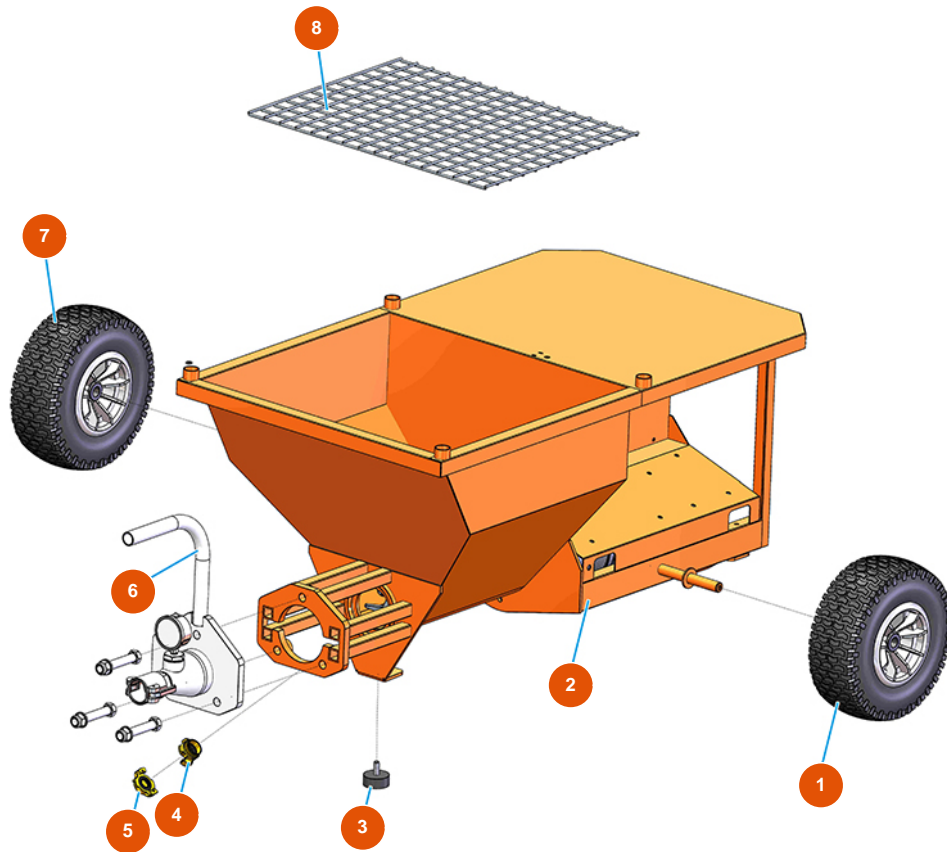


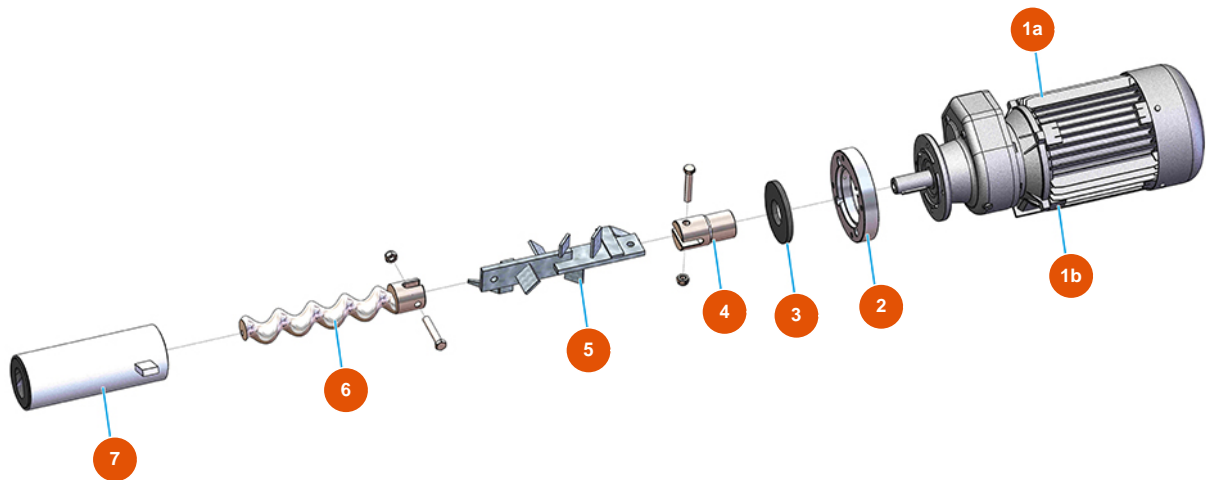
OPTIMIX 20 spraying machine - 2,2 kW - General view



Détails des pièces

Pos.	Référence	Désignation
1	3F00301109	Inflatable wheel 13 X 5.00
2	701202400A	2
3	3T00200309	Anti-vibration foot 50X20M10X2
4	3A00100204	Female Geka coupling 1"
5	3A00100401	Geka plug
6	8012007000	Pump flange with pressure meter for OPTIMIX 20
7	3F00301109	Inflatable wheel 13 X 5.00
8	4029000800	Grid for OPTIMIX 20

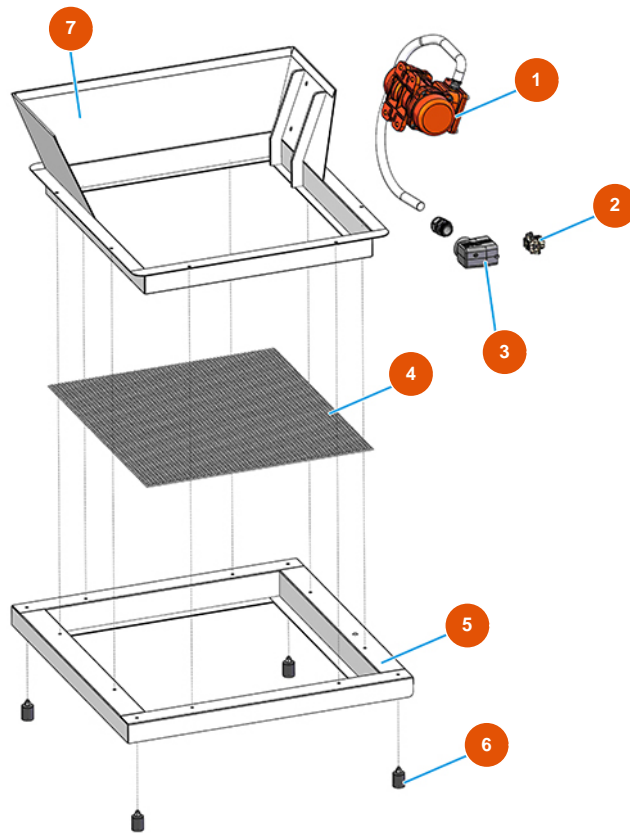
OPTIMIX 20 spraying machine - 2,2 kW - Mixing group



Détails des pièces

Pos.	Référence	Désignation
1a	3D00310103	Reducer P402A-F 1/26,30
1b	3D00200710	Mixing chamber three-phased 2,2 kW motor
2	4029000200	Fixing flange for engine 188
3	4920205000	Rubber seal 115X48X10
4	4923019110	Motor coupling for OPTIMIX 20
5	7003008900	Mixing shaft for OPTIMIX 20 ver. 2018
6	7009044200	MIXER VIPER SX rotor 2018 vers.
7	3F00522200	MIXER VIPER SX straight short stator

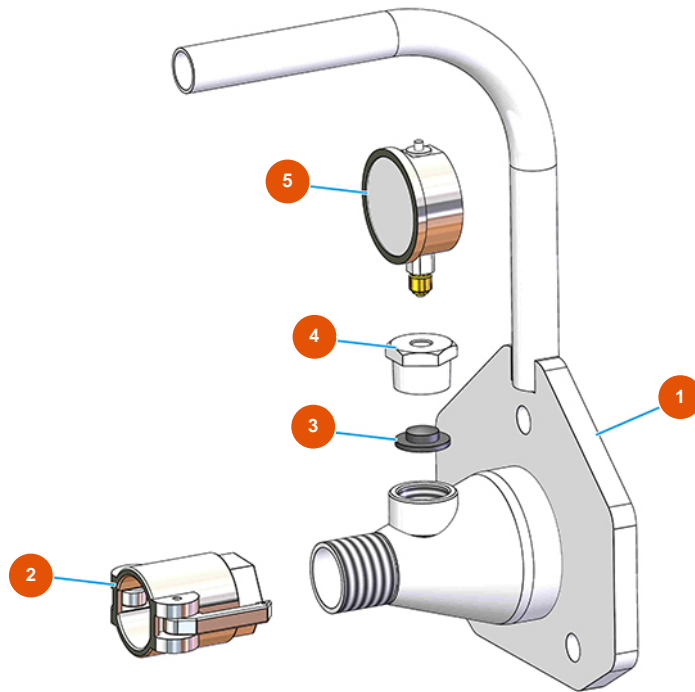
OPTIMIX 20 spraying machine - 2,2 kW - Sieve



Détails des pièces

Pos.	Référence	Désignation
1	3D00500401	Vibrating motor MVE100/3M 230
2	3C03100500	6-pin 16A male insert
3	3C02800104	L16 cover one closure
4	4919018200	Net wire 1,5 10X10 525X585 Galv.
5	7013028000	Galvanized sieve frame 188
6	3T00200308	Anti-vibration foot 25X30 M6
7	7013023600	Chassis frame 188 galvanized

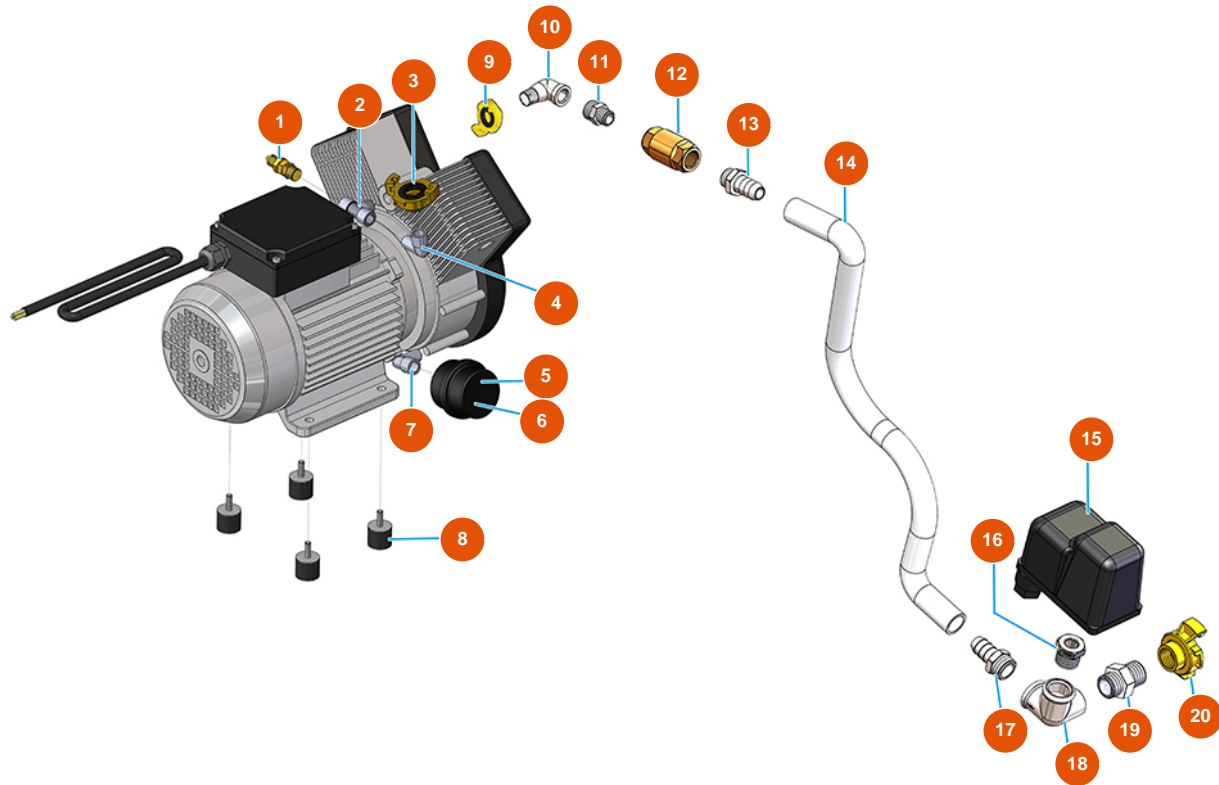
OPTIMIX 20 spraying machine - 2,2 kW - Pump flange



Détails des pièces

Pos.	Référence	Désignation
1	7035010000	Stand stator galvanized 188
2	3A00300202	Female cam coupling 35 x 1"1/4
3	4920006000	Rubber sealing gasket 30SH 32,8X10,2
4	3G50300109	Steel reduction 1"-1/4" L FIL
5	3G00100240	Radial manometer 0-100 bar

OPTIMIX 20 spraying machine - 2,2 kW - Air group

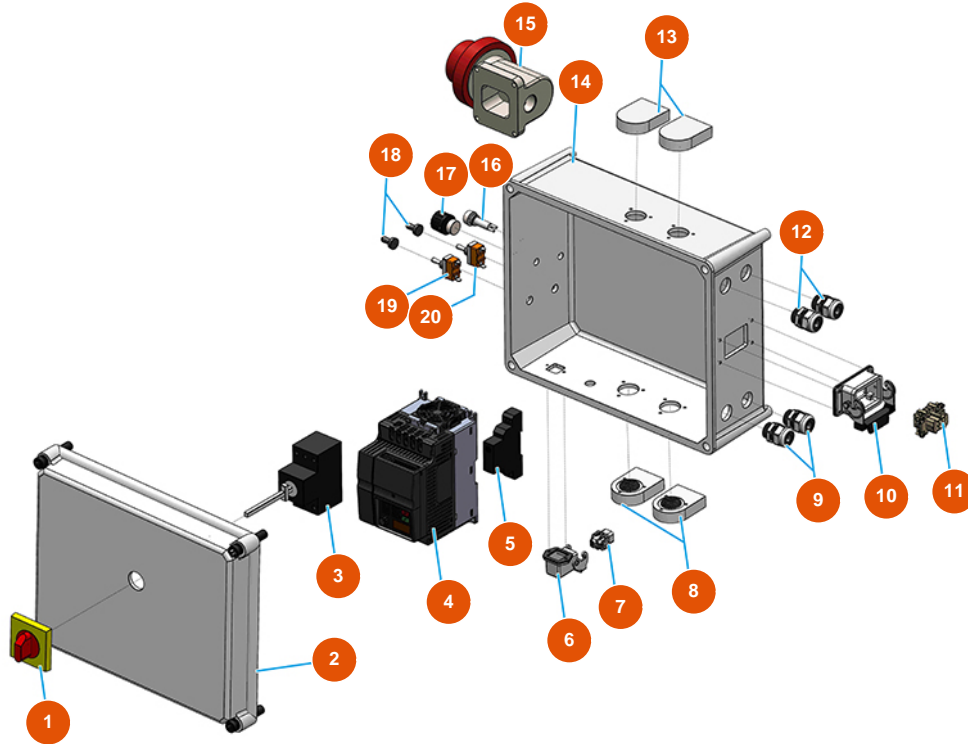


Détails des pièces

Pos.	Référence	Désignation
1	3G01300304	Safety valve 1/4" TAR.3 BAR
2	3G50300804	T - joint FMF steel 3/8
3	3A00100301	Male Geka coupling 3/8"
4	3B02500000	Single-phase compressor 2 heads 230V
5	3B02620000	Cartridge filter holder
6	3B02620010	Filter cartridge
7	3G50300500	Stainless steel elbow joint MF 1/4"
8	3T00200402	Rubber antivibration MM M8 D30 X H40 M8X23
9	3A00100201	Female Geka coupling 3/8"
10	3G00504001	Elbow join galvanized 45° MF FIG.40 1/2"
11	3G50300700	Steel reduced nipple 1/2X3/8
12	3G01300401	Valve RITEGNO EUROPA 3/8"
13	3G50300202	Hose connector 3/8"X14"

Pos.	Référence	Désignation
14	3F00700201	PVC/rubber hose 13x19 (without Geka)
15	3G50300100	Steel reduction 1/2X1/4
16	3G00403106	Pressure switch PT/5 0,6-2 BAR ITALT
17	3A00100202	Female Geka coupling 1/2"
18	3G00528002	Galvanized nipple FIG.280 1/2
19	3G00513002	Galv. T-joint FIG.130 1/2
20	3G50300202	Hose connector 3/8"X14"

OPTIMIX 20 spraying machine - 2,2 kW - Electric panel



Détails des pièces

Pos.	Référence	Désignation
1	3C01300207	Maneuver x ABB red/yellow IP64 MS1
2	3C00110101	2
3	3C01030108	ABB-MS325 20A magnetic
4	3C05100161	Inverter Fuji Frenic-mini C2 2.2 KW 230V
5	3C00600215	Relay 22.32.0.024.4340 FINDER
6	3C02800200	Socket base
7	3C02700200	4-pin + ground 10A female insert
8	3C00130101	Basic ventilation kit APO 71 (2 PE)
9	3C04200200	PG16 anti-tear cable gland
10	3C02800300	6-pin socket base 1 lever for VERTIGO trowel
11	3C02700300	6-pin 16A female insert
12	3C04200200	PG16 anti-tear cable gland
13	3C00130101	Basic ventilation kit APO 71 (2 PE)

Pos.	Référence	Désignation
14	3C00110473	14
15	3C03000103	2-pin + ground 16A surface-mount male plug
16	3C02410100	White light alarm 24V alternating DC TR
17	3C00300400	Potentiometer 4,7 K-OHM
18	3C02100100	Rubber protection for switch
19	3C01800800	Commutator switch 1-0-1 T215 T-A
20	3C01800402	Lever commutator switch T315N-A ON-ON