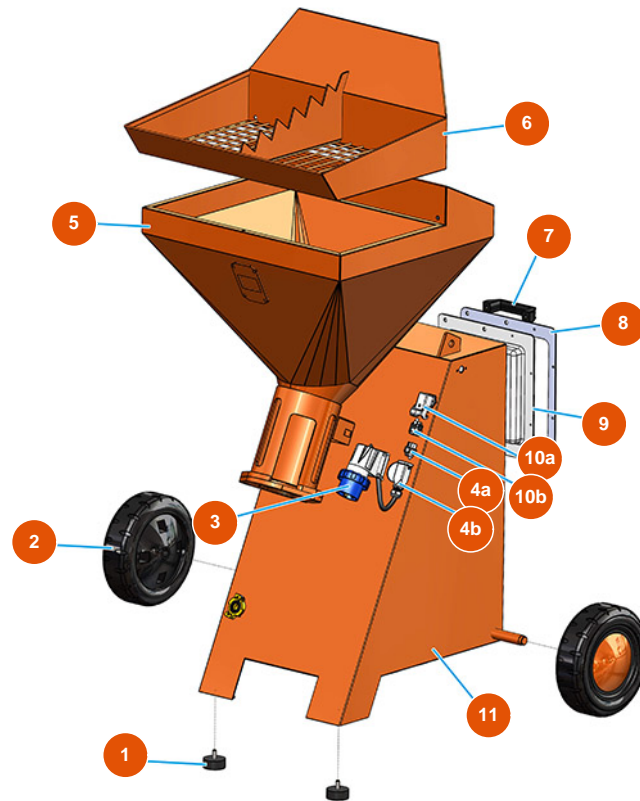


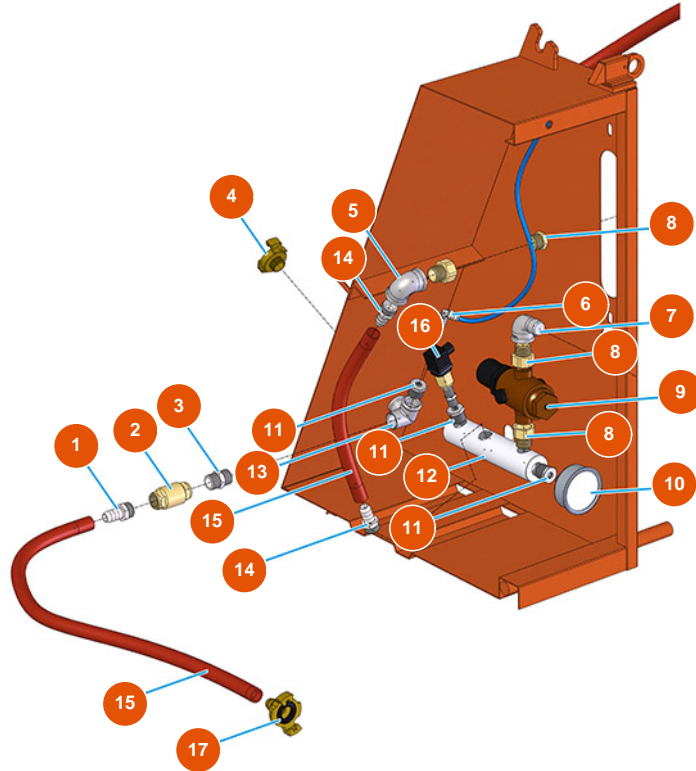
MIXER LIGHT plaster continuous mixing machine - 2,2 kW - General view



Détails des pièces

| Pos. | Référence | Désignation |
|------|------------|--------------------------------------------|
| 1 | 3T00200309 | Anti-vibration foot 50X20M10X2 |
| 2 | 3F00300208 | Wheel Ø260/85 mm rubber |
| 3 | 3C03000103 | 2-pin + ground 16A surface-mount male plug |
| 4a | 3C02800102 | Cover ILME CK03V PG11 without hook |
| 4b | 3C03100200 | 4-pin + ground CKM04 male insert |
| 5 | 701202910A | 5 |
| 6 | 701750800A | Bag Cutter Grid for LIGHT |
| 7 | 3M00500114 | Lifting handle |
| 8 | 404400280A | Control panel frame LIGHT |
| 9 | 4044001200 | Control panel cover LIGHT 2013 |
| 10a | 3C02800500 | Bend socket base CK03IA |
| 10b | 3C02700200 | 4-pin + ground 10A female insert |
| 11 | 701203000A | Trolley LIGHT 2013 |

MIXER LIGHT plaster continuous mixing machine - 2,2 kW - Air group



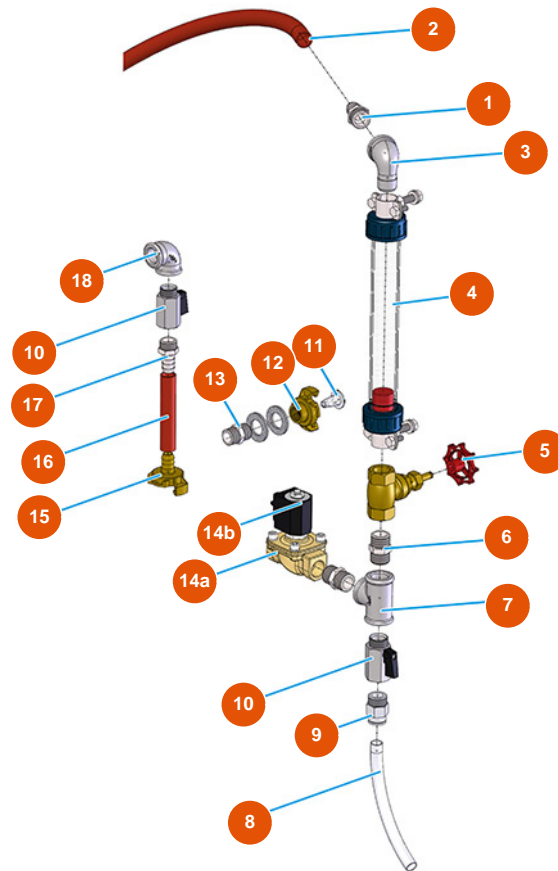
Détails des pièces

| Pos. | Référence | Désignation |
|------|------------|------------------------------------------|
| 1 | 3G50300202 | Hose connector 3/8"X14" |
| 2 | 3G01300401 | Valve RITEGNO EUROPA 3/8" |
| 3 | 3G50300700 | Steel reduced nipple 1/2X3/8 |
| 4 | 3A00100302 | Male Geka coupling 1/2" |
| 5 | 3G00509002 | Elbow join galvanized 90° FF FIG.90 1/2" |
| 6 | 3G50200202 | Legris coupling elbow joint 6X1/8 |
| 7 | 3G00509202 | Elbow join galvanized 90° MF FIG.92 1/2" |
| 8 | 3G01700300 | 3 piece connector MF (I1) |
| 9 | 3G00904100 | Pressure reducer 1/2 |
| 10 | 3G00100141 | Axial manometer 0-10 bar |
| 11 | 3G50300100 | Steel reduction 1/2X1/4 |
| 12 | 4044002500 | 12 |
| 13 | 3G00522102 | Elbow outlet galvanized FIG.221 1/2 |



| Pos. | Référence | Désignation |
|------|------------|--------------------------------------|
| 14 | 3G50300200 | Hose connector 1/2"X14" |
| 15 | 3F00700201 | PVC/rubber hose 13x19 (without Geka) |
| 16 | 3G00403106 | Pressure switch PT/5 0,6-2 BAR ITALT |
| 17 | 3A00100102 | PG15 Geka coupling 1/2" |

MIXER LIGHT plaster continuous mixing machine - 2,2 kW - Water group



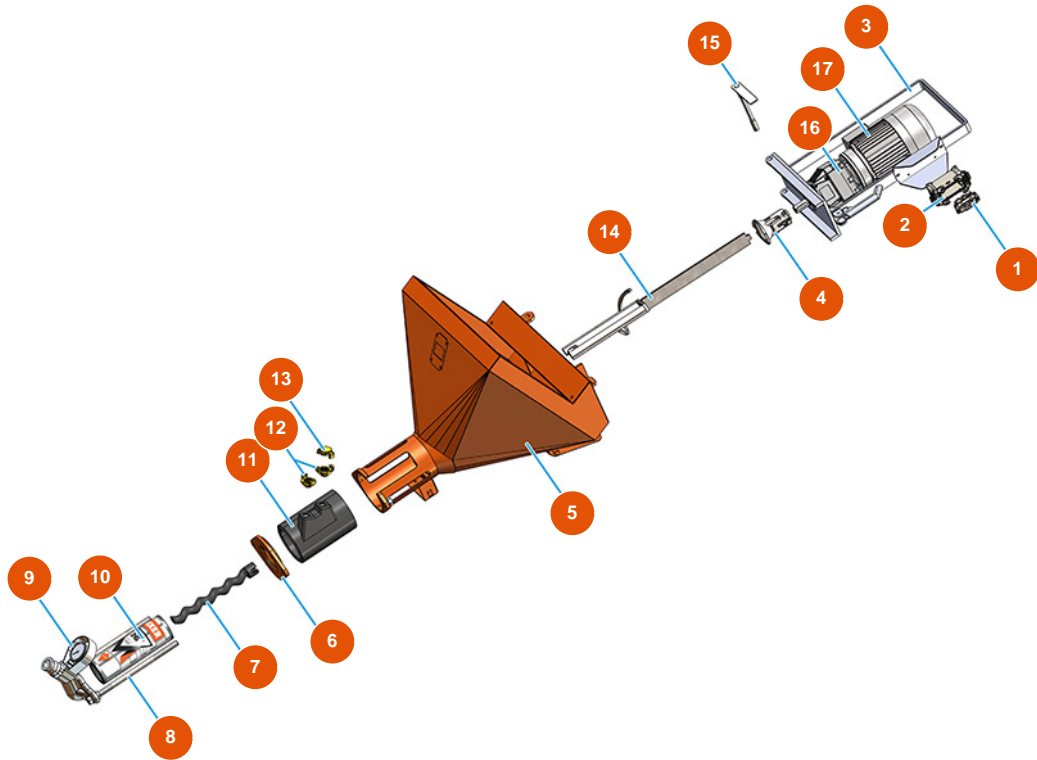
Détails des pièces

| Pos. | Référence | Désignation |
|------|------------|------------------------------------------|
| 1 | 3G50300200 | Hose connector 1/2"X14" |
| 2 | 3F00700201 | PVC/rubber hose 13x19 (without Geka) |
| 3 | 3G00509202 | Elbow join galvanized 90° MF FIG.92 1/2" |
| 4 | 3G01101001 | 60-600 L/h flowmeter |
| 5 | 3G01300211 | Needle adjustment valve 1/4" |
| 6 | 3G00528002 | Galvanized nipple FIG.280 1/2 |
| 7 | 3G00513002 | Galv. T-joint FIG.130 1/2 |
| 8 | 3G50500200 | Hose 12X14 RILSAN |
| 9 | 3G50200101 | Legris joint straight 1/2X14 3175 |
| 10 | 3G01200301 | Ball valve MF1/2" hexagonal |
| 11 | 3A00100600 | Inox water filter |
| 12 | 3A00100202 | Female Geka coupling 1/2" |
| 13 | 3G00528002 | Galvanized nipple FIG.280 1/2 |



| Pos. | Référence | Désignation |
|------|------------|------------------------------------------|
| 14a | 3G00301300 | Electrovalve NC 1/2 |
| 14b | 3G00301401 | Coil 230VAC |
| 15 | 3A00100102 | PG15 Geka coupling 1/2" |
| 16 | 3F00700201 | PVC/rubber hose 13x19 (without Geka) |
| 17 | 3G50300200 | Hose connector 1/2"X14" |
| 18 | 3G00509002 | Elbow join galvanized 90° FF FIG.90 1/2" |

MIXER LIGHT plaster continuous mixing machine - 2,2 kW - Mixing group



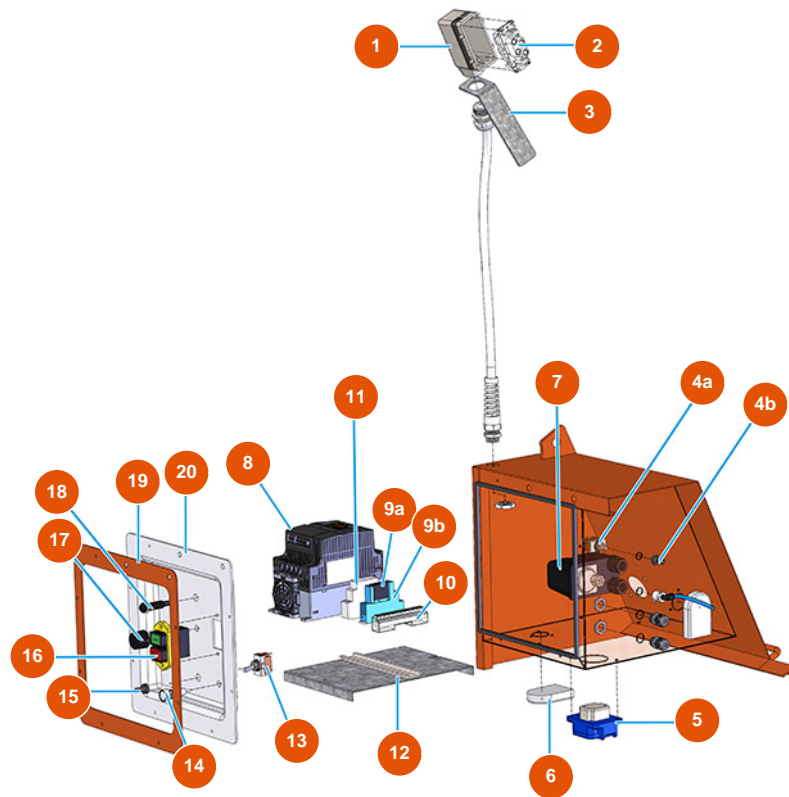
Détails des pièces

| Pos. | Référence | Désignation |
|------|------------|--------------------------------------------------------------------|
| 1 | 3C03100400 | 4/2-pin 80A male insert |
| 2 | 3C02800400 | 16-pin surface-mount cover with 2 levers |
| 3 | 701101400G | Motor support for MIXER LIGHT |
| 4 | 700600650S | Motor coupling for PLUS MONO, SPRINTER and REMIX - h=25 - Ø20 |
| 5 | 701202910A | 5 |
| 6 | 400210230A | Support for mixing chamber MIXER PLUS vers. 2020 |
| 7 | 7009012000 | MIXER 26 rotor |
| 8 | 8023003000 | Tie rod M16 L = 350 F55 / 55 + screws |
| 9 | 8012006000 | Pump flange for SPRINTER and LIGHT |
| 10 | 3F00501300 | MIXER 26 straight stator - D4-2 |
| 11 | 4002103000 | Polyurethane mixing chamber for MIXER PLUS and SPRINTER vers. 2020 |
| 12 | 3A00100401 | Geka plug |
| 13 | 3A00100303 | Male Geka coupling 3/4" |



| Pos. | Référence | Désignation |
|------|------------|-----------------------------------------------------------------------|
| 14 | 7003027000 | Mixing shaft for MIXER LIGHT |
| 15 | 7018008000 | Mounting trunnion flange LIGHT 2013 |
| 16 | 3D00310101 | Mixing chamber reducer for MIXER LIGHT, PLUS MONO, SPRINTER and CD 25 |
| 17 | 3D00200710 | Mixing chamber three-phased 2,2 kW motor |

MIXER LIGHT plaster continuous mixing machine - 2,2 kW - Electric panel

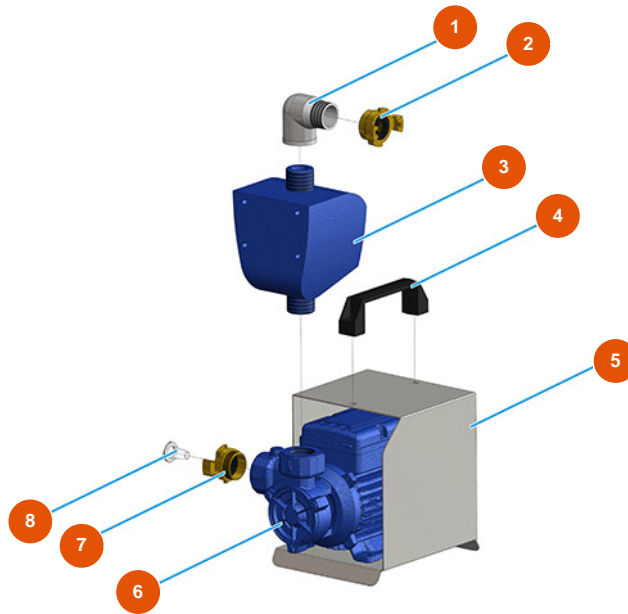


Détails des pièces

| Pos. | Référence | Désignation |
|------|------------|----------------------------------------|
| 1 | 3C02800100 | Horizontal 16-pin cover |
| 2 | 3C02700600 | 4/2-pin 80A female insert |
| 3 | 4906512000 | Plate 40X190 support plug ILME |
| 4a | 3C01800402 | Lever commutator switch T315N-A ON-ON |
| 4b | 3C02100100 | Rubber protection for switch |
| 5 | 3C02601001 | Interlocking socket SCHUKO PALAZZOLI |
| 6 | 3C00130101 | Basic ventilation kit APO 71 (2 PE) |
| 7 | 3G00403106 | Pressure switch PT/5 0,6-2 BAR ITALT |
| 8 | 3C05100107 | Mono inverter 230V 2,2Kw MOSQUITO/PLUS |
| 9a | 3C00600800 | Relay 2SC JW2 SN 24VDC |
| 9b | 3C00600904 | Relay socket FINDER 95.05 SPA |
| 10 | 3C00400700 | 10-way ground clamp |
| 11 | 3C00600210 | Relay 22.32.0.230.4340 FINDER |

| Pos. | Référence | Désignation |
|------|------------|----------------------------------|
| 12 | 4044002400 | 12 |
| 13 | 3C01800800 | Commutator switch 1-0-1 T215 T-A |
| 14 | 3C02400900 | White light alarm 230V SIGNALUX |
| 15 | 3C02100100 | Rubber protection for switch |
| 16 | 3C01403000 | Bipolar switch 230V |
| 17 | 3C00300101 | Simple linear potentiometer 5K |
| 18 | 3M00500121 | Water pump button |
| 19 | 404400280A | Control panel frame LIGHT |
| 20 | 4044001200 | Control panel cover LIGHT 2013 |

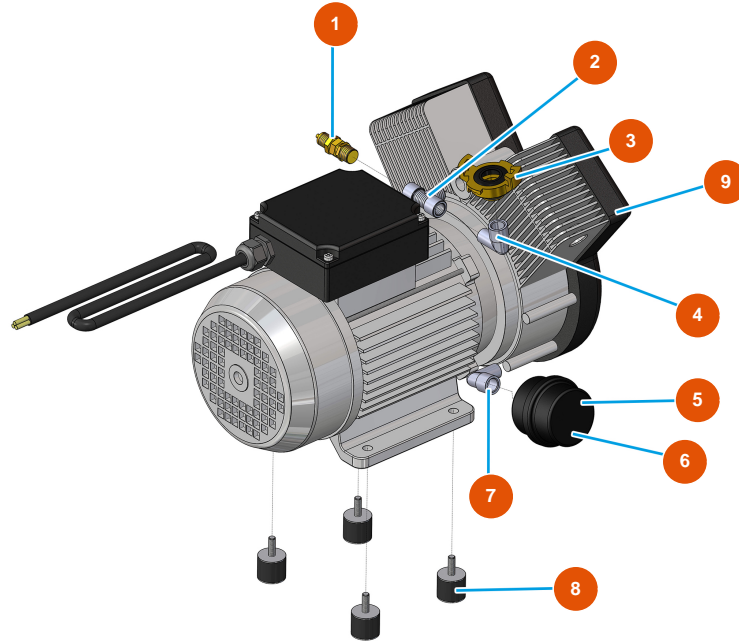
MIXER LIGHT plaster continuous mixing machine - 2,2 kW - Pump group



Détails des pièces

| Pos. | Référence | Désignation |
|------|------------|----------------------------------------|
| 1 | 3G00509204 | Elbow join galvanized 90° MF FIG.92 1" |
| 2 | 3A00100204 | Female Geka coupling 1" |
| 3 | 3C06000100 | 3 |
| 4 | 3M00500114 | Lifting handle |
| 5 | 4044002900 | 5 |
| 6 | 3D00703001 | Water pump for PLUS MONO and SPRINTER |
| 7 | 3A00100303 | Male Geka coupling 3/4" |
| 8 | 3A00100600 | Inox water filter |

MIXER LIGHT plaster continuous mixing machine - 2,2 kW - Compressor



Détails des pièces

| Pos. | Référence | Désignation |
|------|------------|--------------------------------------------|
| 1 | 3G01300304 | Safety valve 1/4" TAR.3 BAR |
| 2 | 3G50300804 | T - joint FMF steel 3/8 |
| 3 | 3A00100301 | Male Geka coupling 3/8" |
| 4 | 3G50300503 | Steel elbow MF 3/8" |
| 5 | 3B02620000 | Cartridge filter holder |
| 6 | 3B02620010 | Filter cartridge |
| 7 | 3G50300500 | Stainless steel elbow joint MF 1/4" |
| 8 | 3T00200402 | Rubber antivibration MM M8 D30 X H40 M8X23 |
| 9 | 3B02500000 | Single-phase compressor 2 heads 230V |