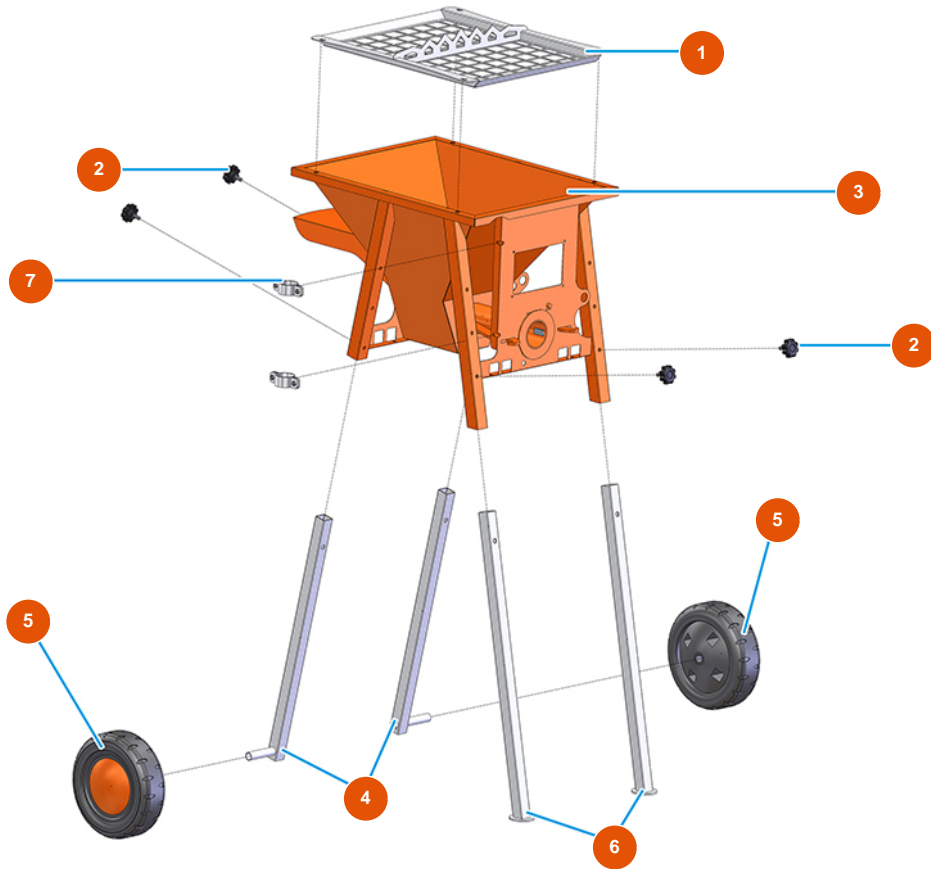


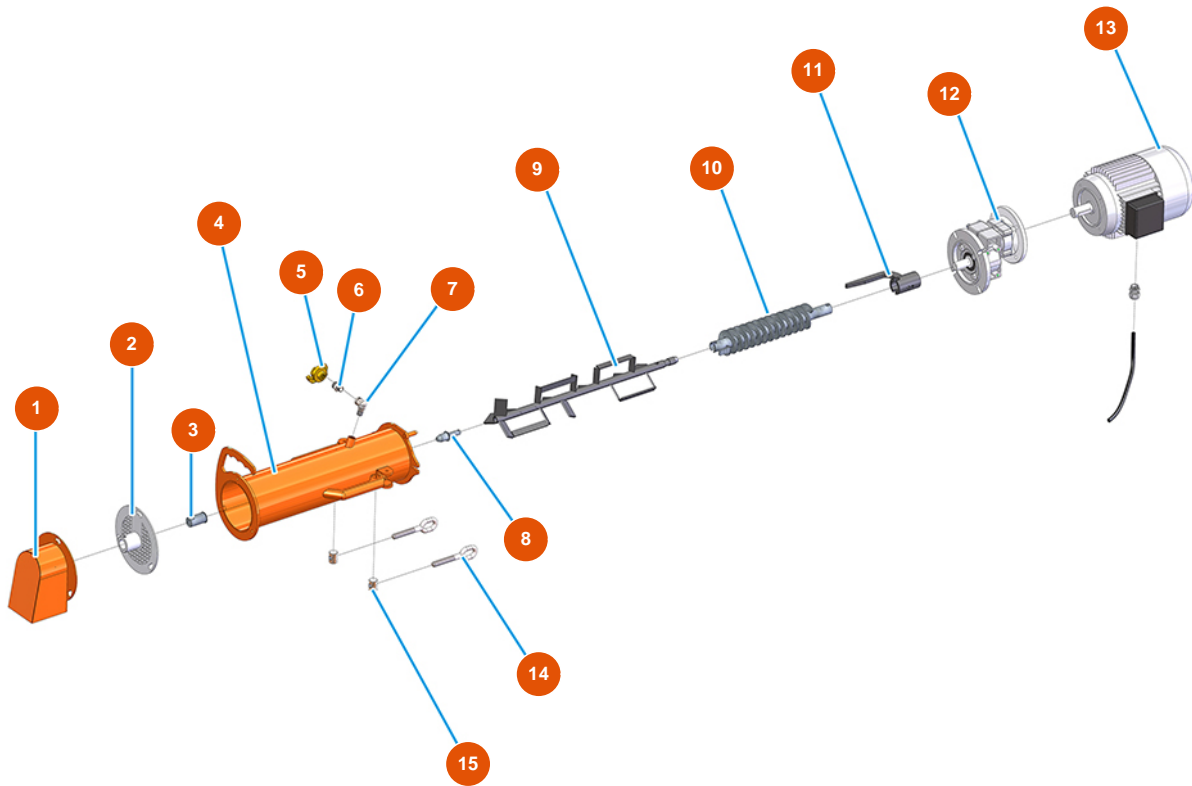
## MIXER 35 BASIC continuous mixer for adhesive - General view



### Détails des pièces

Pos.	Référence	Désignation
1	701702050G	Bag Cutter Grid for MIXER 35
2	3T02000401	Knob M8 X 20
3	701203100A	MIXER 35 vers. 2020 Tank
4	701303910G	Back legs MIXER 35
5	3F00300208	Wheel Ø260/85 mm rubber
6	701303900G	Front legs MIXER 35
7	3G01600104	Collar 1"1/4

## MIXER 35 BASIC continuous mixer for adhesive - Mixing Group



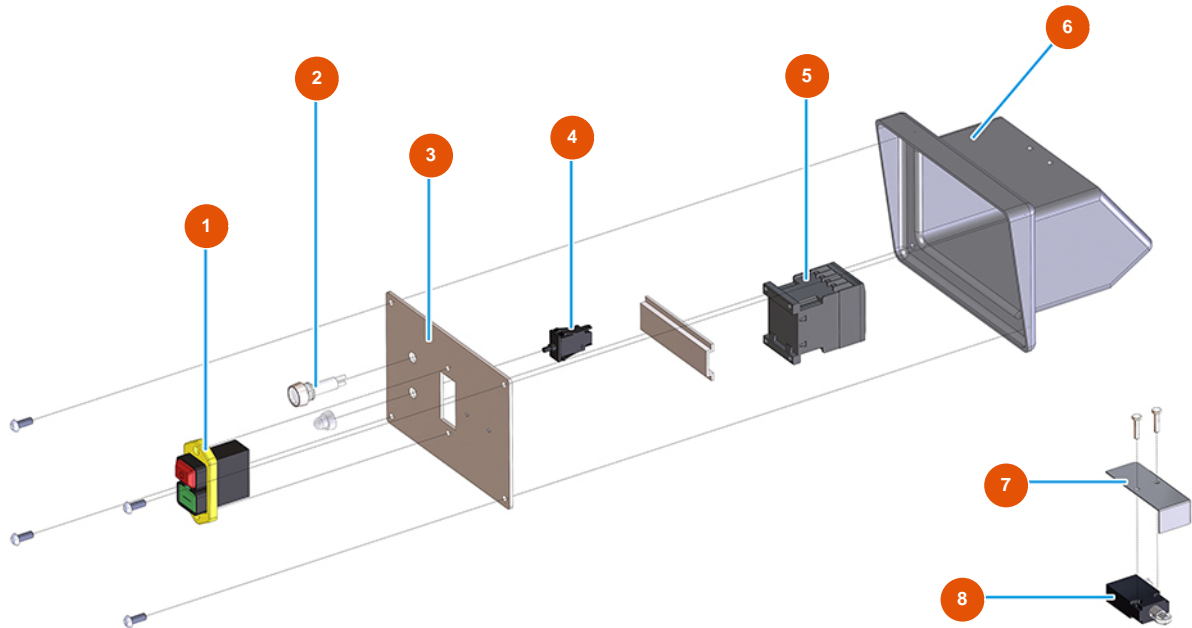
### Détails des pièces

Pos.	Référence	Désignation
1	701100790G	Flange for mortar for MIXER 35 BASIC
2	701702010G	Flange for adhesives for MIXER 35 BASIC
3	4905002100	Hardened bush flange MIXER 35
4	701400260G	Mixing chamber frame for MIXER 35 Basic vers. 2020
5	3A00100201	Female Geka coupling 3/8"
6	3G50300110	Steel reduction 3/8"-1/4"
7	3G50300400	Stainless steel elbow joint MM 1/4"
8	4001006100	Pivot for mixing shaft MIXER 35 hardened
9	7005001000	Pastrous products mixing axis for MIXER 35
10	7004015100	Powder dosing screw for MIXER 35 6 LT vers. 2020
11	7006018000	Motor coupling for MIXER 35 vers. 2020
12	3D00310400	Reducer for MIXER 35
13	3D00201000	MIXER 35 motor



Pos.	Référence	Désignation
14	3T01000400	Galvanized threaded ring lever closing 262
15	3T01000500	Spyralized galvanized lever locking 262

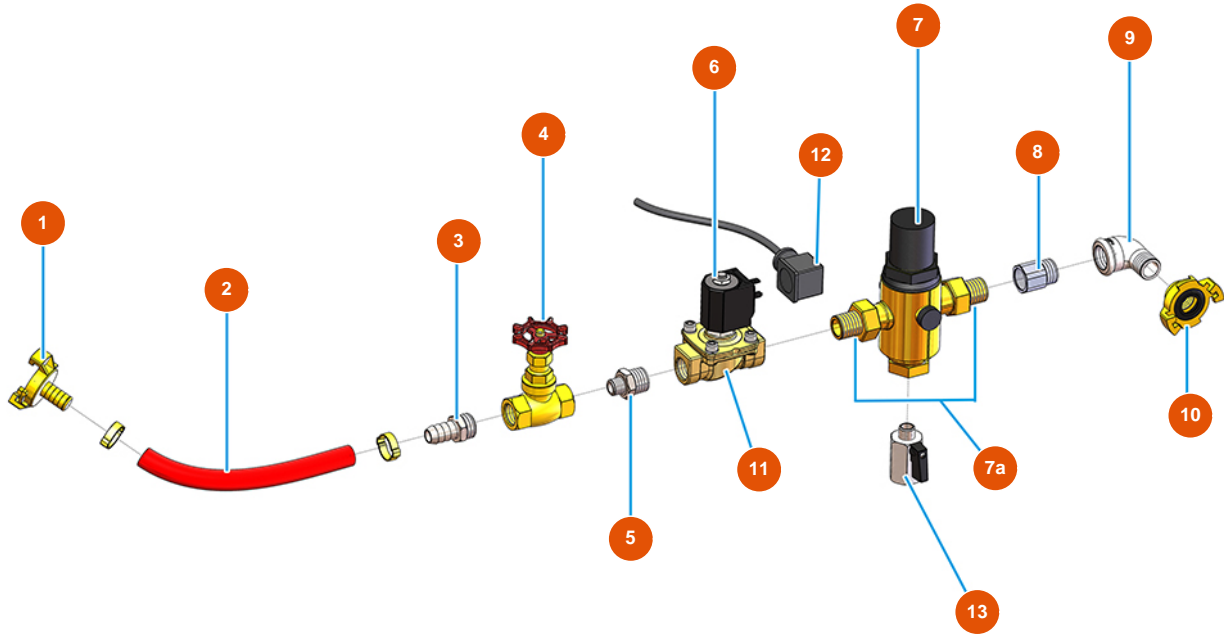
## MIXER 35 BASIC continuous mixer for adhesive - Electrical Panel



### Détails des pièces

Pos.	Référence	Désignation
1	3C01403000	Bipolar switch 230V
2	3C02400900	White light alarm 230V SIGNALUX
3	4011502300	Front panel 1 hole MIXER 50 galvanized
4	3C00800400	Thermoprotector 1140-G111-9A RIP.MAN.ETA
5	3C00700119	Counter 3 KW 220V AC 1NA 9 A
6	4011502000	Electric box start/stop MIXER 50
7	404900180G	Protection MICRO MIXER 35
8	3C01400300	Push switch FA4615

## MIXER 35 BASIC continuous mixer for adhesive - Water Group



### Détails des pièces

Pos.	Référence	Désignation
1	3A00100102	PG15 Geka coupling 1/2"
2	3F00700201	PVC/rubber hose 13x19 (without Geka)
3	3G50300207	Hose connector 1/4"x12"
4	3G01300211	Needle adjustment valve 1/4"
5	3G50300702	Steel reduced nipple 1/2X1/4 3 0RC
6	3G00301401	Coil 230VAC
7	3G00904100	Pressure reducer 1/2
7a	3G01700010	Connector/Turner M 1/2-3/4
8	3G50301140	MF extension 1/2" x 20 MM 529-Z
9	3G00509202	Elbow join galvanized 90° MF FIG.92 1/2"
10	3A00100202	Female Geka coupling 1/2"
11	3G00301300	Electrovalve NC 1/2
12	3G00402201	Connector for pressure switch



Pos.	Référence	Désignation
13	3G01200102	Tap MINIBALL M/F 1/4"