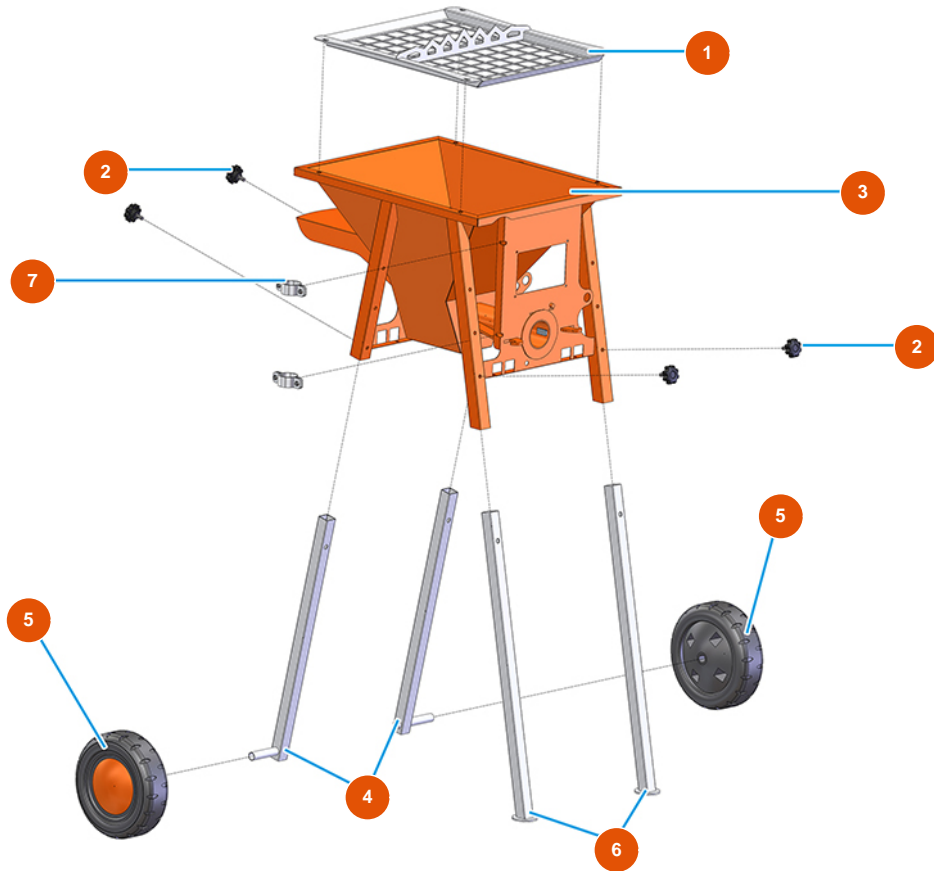


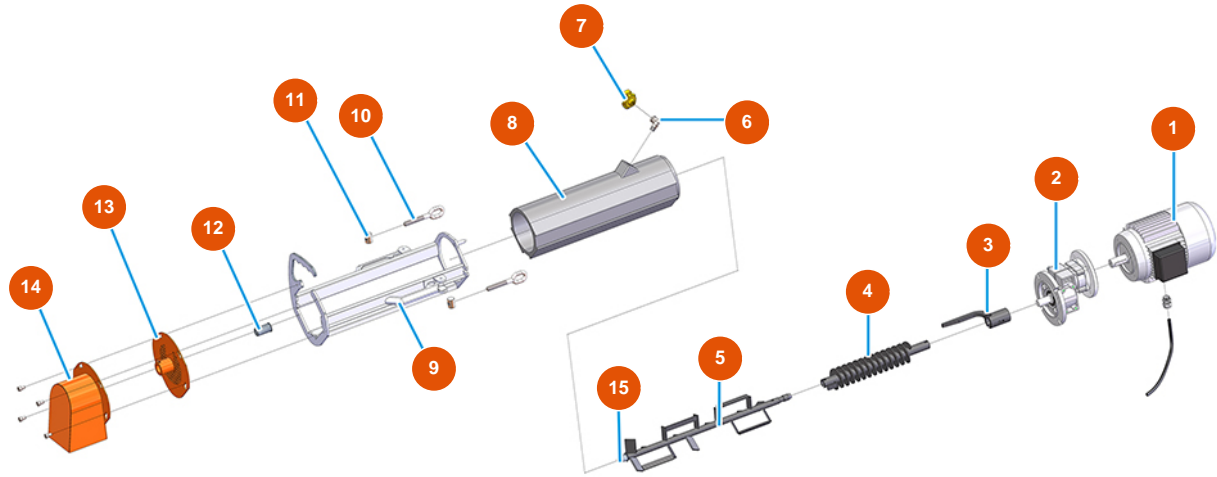
MIXER 35 TOP continuous mixer for mortar - General View



Détails des pièces

Pos.	Référence	Désignation
1	701702050G	Bag Cutter Grid for MIXER 35
2	3T02000401	Knob M8 X 20
3	701203100A	MIXER 35 vers. 2020 Tank
4	701303910G	Back legs MIXER 35
5	3F00300208	Wheel Ø260/85 mm rubber
6	701303900G	Front legs MIXER 35
7	3G01600104	Collar 1"1/4

MIXER 35 TOP continuous mixer for mortar - Mixing Group



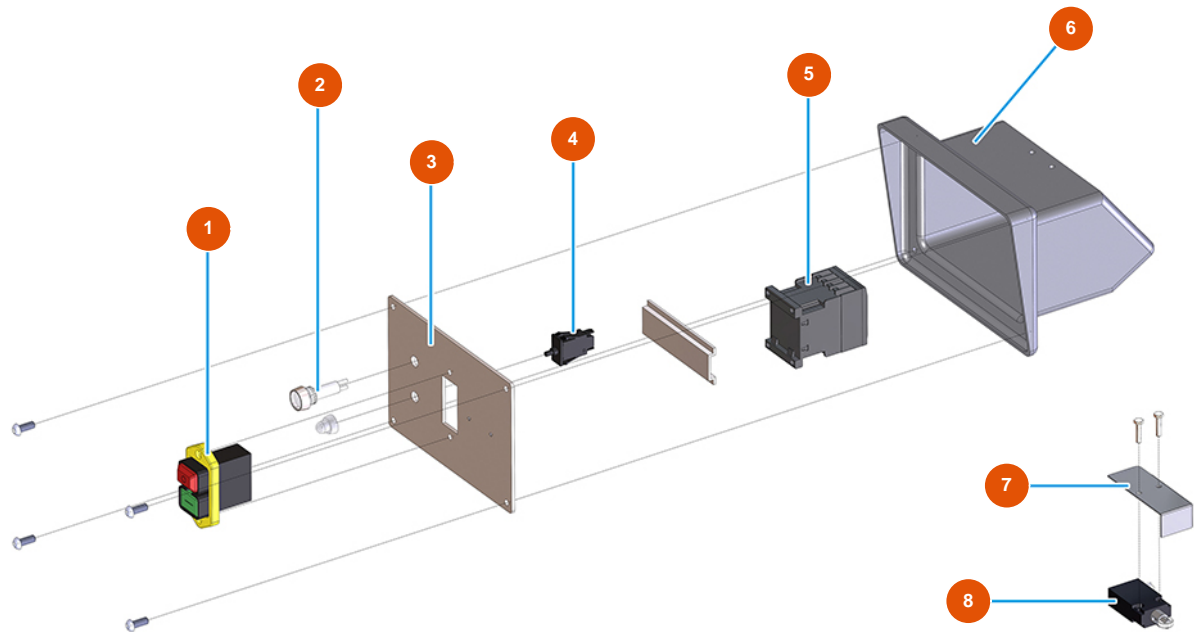
Détails des pièces

Pos.	Référence	Désignation
1	3D00201000	MIXER 35 motor
2	3D00310400	Reducer for MIXER 35
3	7006018000	Motor coupling for MIXER 35 vers. 2020
4	7004015200	Powder dosing screw for MIXER 35 12 LT vers. 2020
5	7005001000	Pastrous products mixing axis for MIXER 35
6	3G00509202	Elbow join galvanized 90° MF FIG.92 1/2"
7	3A00100302	Male Geka coupling 1/2"
8	4001008002	Mixing chamber for MIXER 35
9	701400270G	Mixing chamber frame for MIXER 35 Top vers. 2020
10	3T01000400	Galvanized threaded ring lever closing 262
11	3T01000500	Spyralized galvanized lever locking 262
12	4905002100	Hardened bush flange MIXER 35
13	701702000G	Flange for adhesives for MIXER 35 TOP



Pos.	Référence	Désignation
14	701100760G	Flange for mortar MIXER 35 TOP vers. 2020
15	4001006100	Pivot for mixing shaft MIXER 35 hardened

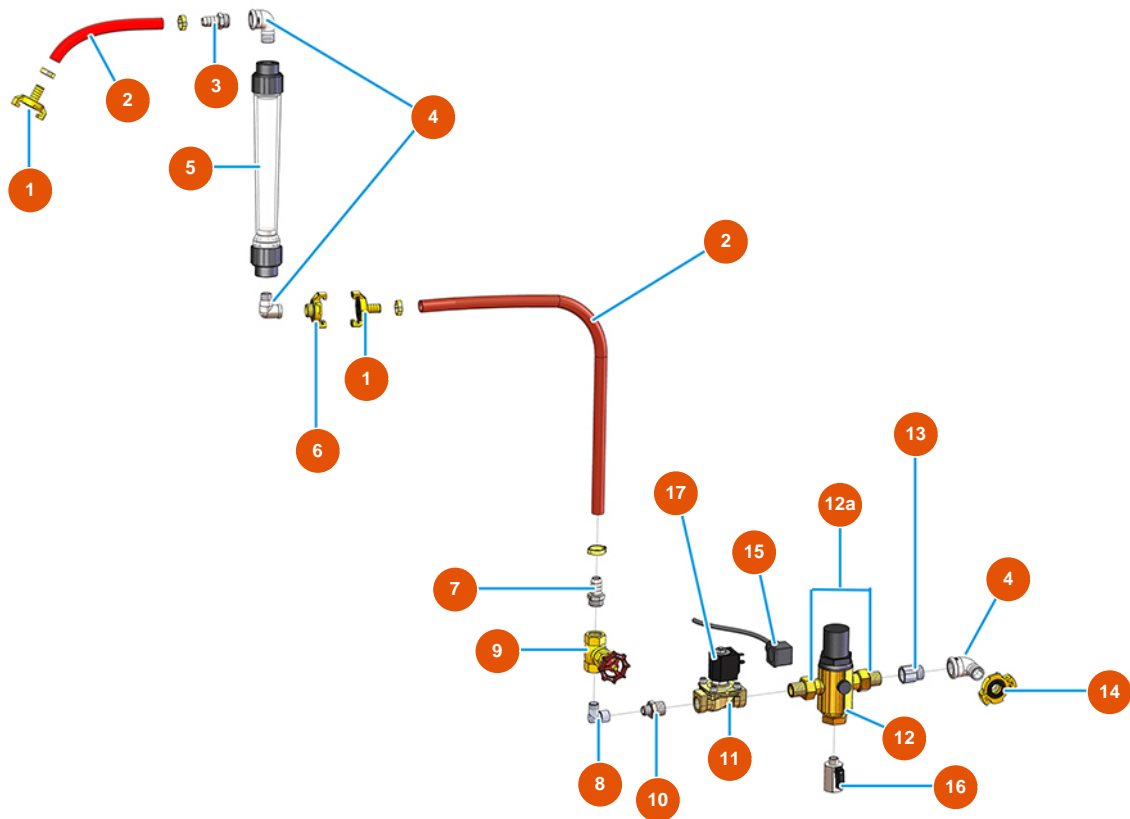
MIXER 35 TOP continuous mixer for mortar - Electrical Panel



Détails des pièces

Pos.	Référence	Désignation
1	3C01403000	Bipolar switch 230V
2	3C02400900	White light alarm 230V SIGNALUX
3	4011502300	Front panel 1 hole MIXER 50 galvanized
4	3C00800400	Thermoprotector 1140-G111-9A RIP.MAN.ETA
5	3C00700119	Counter 3 KW 220V AC 1NA 9 A
6	4011502000	Electric box start/stop MIXER 50
7	404900180G	Protection MICRO MIXER 35
8	3C01400300	Push switch FA4615

MIXER 35 TOP continuous mixer for mortar - Water Group



Détails des pièces

Pos.	Référence	Désignation
1	3A00100102	PG15 Geka coupling 1/2"
2	3F00700201	PVC/rubber hose 13x19 (without Geka)
3	3G50300201	Hose connector 1/2"X20"
4	3G50300501	Stainless steel elbow joint MF 1/2"29A
5	3G01101001	60-600 L/h flowmeter
6	3A00100302	Male Geka coupling 1/2"
7	3G50300207	Hose connector 1/4"X12"
8	3G50300500	Stainless steel elbow joint MF 1/4"
9	3G01300211	Needle adjustment valve 1/4"
10	3G50300702	Steel reduced nipple 1/2X1/4 3 ORC
11	3G00301300	Electrovalve NC 1/2
12	3G00904100	Pressure reducer 1/2
12a	3G01700010	Connector/Turner M 1/2-3/4



Pos.	Référence	Désignation
13	3G50301140	MF extension 1/2" x 20 MM 529-Z
14	3A00100202	Female Geka coupling 1/2"
15	3G00402201	Connector for pressure switch
16	3G01200102	Tap MINIBALL M/F 1/4"
17	3G00301401	Coil 230VAC