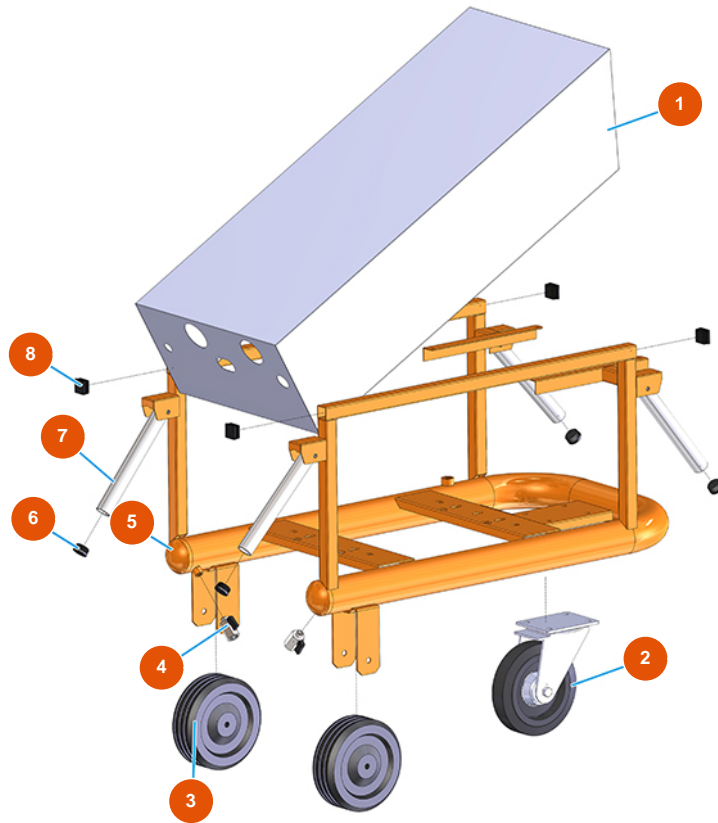


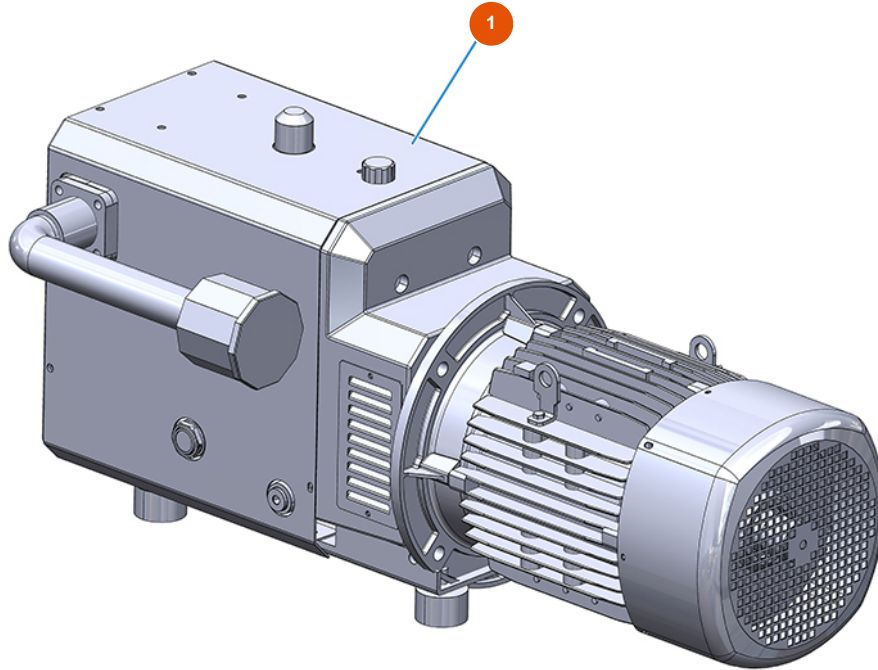
MIXER AIRTECH TOP powder conveying group - Type 100 RIETSCHLE - General view



Détails des pièces

Pos.	Référence	Désignation
1	402500050A	1
2	3F00300901	Wheel Ø 200/70 revolving plate w/brake
3	3F00300603	Supportless wheel Ø 200
4	3G01200102	Tap MINIBALL M/F 1/4"
5	701301950A	5
6	3F00400400	PVC black top D.32
7	4914001000	Front lifting handle galv. PLUS
8	3F00400203	Black top 30x30

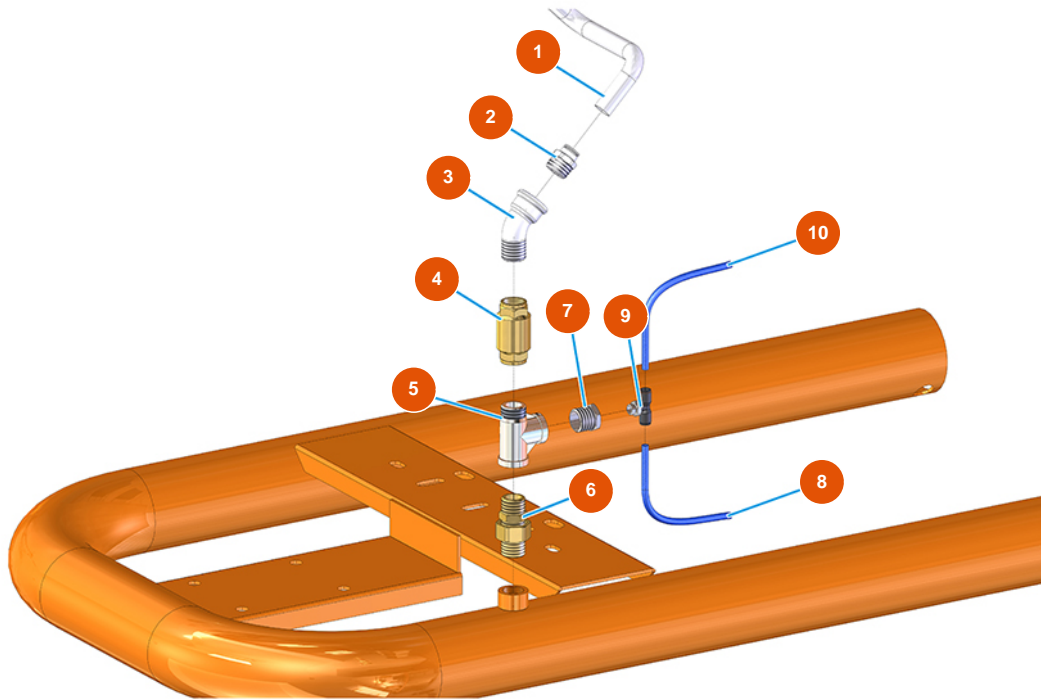
MIXER AIRTECH TOP powder conveying group - Type 100 RIETSCHE - Compressor



Détails des pièces

Pos.	Référence	Désignation
1	3B01610000	Rietschle compressor DLR 100

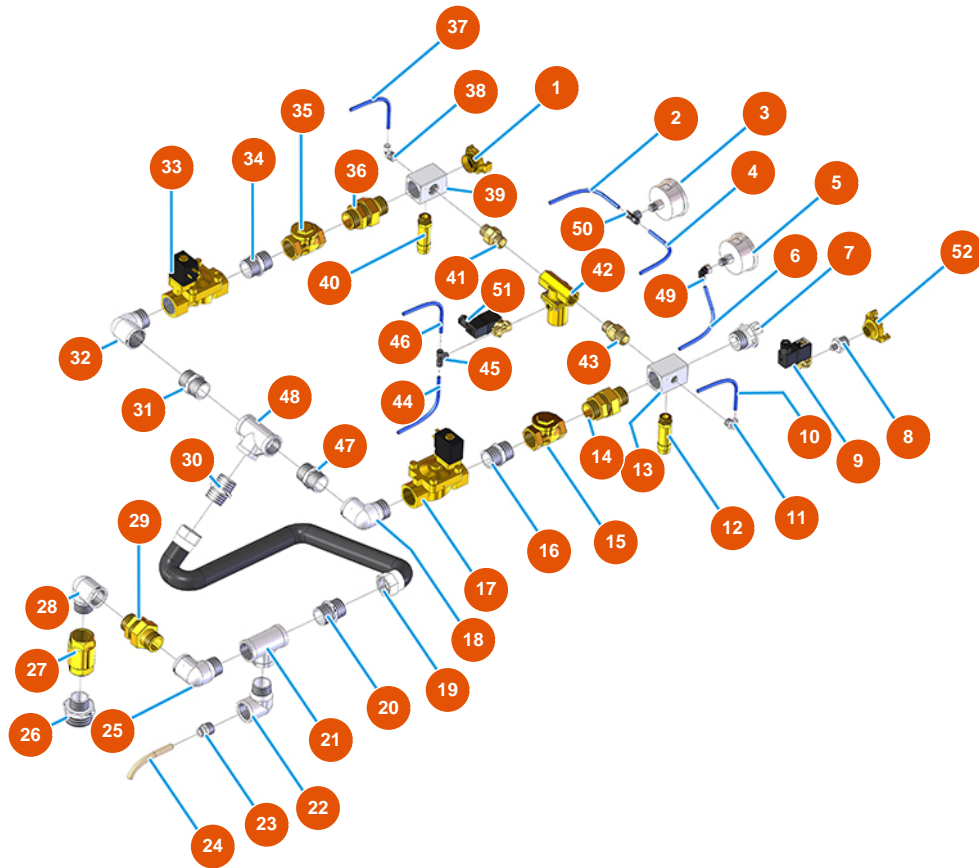
MIXER AIRTECH TOP powder conveying group - Type 100 RIETSCHLE - Air group - A



Détails des pièces

Pos.	Référence	Désignation
1	3G50500200	Hose 12X14 RILSAN
2	3G50200101	Legris joint straight 1/2X14 3175
3	3G00504001	Elbow join galvanized 45° MF FIG.40 1/2"
4	3G01300402	Check valve EUROPA 1/2"
5	3G00513402	T-joint FFM galvanized FIG.134 1/2
6	3G50301201	3-pieces connector M-M OR 1/2-1/2 FIG.7
7	3G50300100	Steel reduction 1/2X1/4
8	3G50500100	Hose ELASTOLLAN 6X4
9	3G50200302	Legris central T - joint 1/8M
10	3G50500100	Hose ELASTOLLAN 6X4

MIXER AIRTECH TOP powder conveying group - Type 100 RIETSCHLE - Air group - B



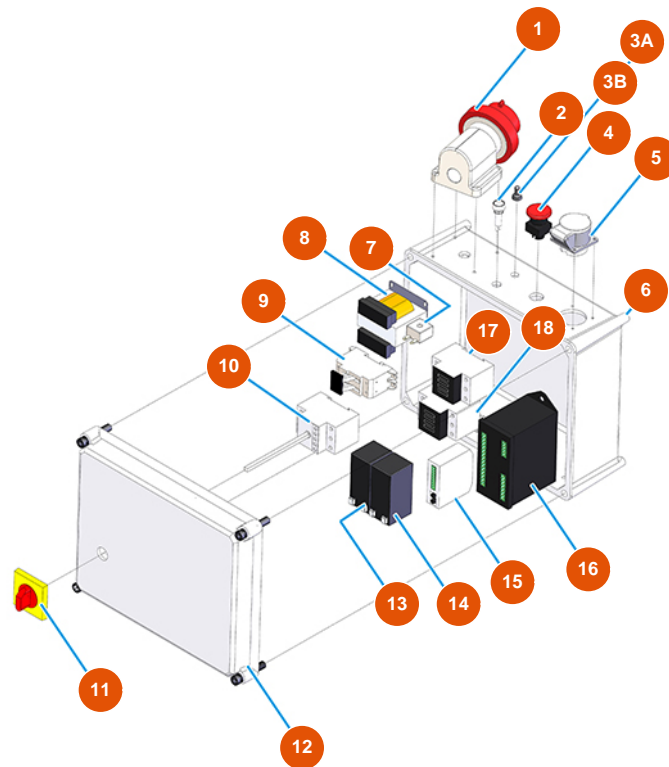
Détails des pièces

Pos.	Référence	Désignation
1	3A00100304	Male Geka coupling 1"
2	3G50500100	Hose ELASTOLLAN 6X4
3	3G00100140	Axial manometer 0-4 bar
4	3G50500100	Hose ELASTOLLAN 6X4
5	3G00100140	Axial manometer 0-4 bar
6	3G50500100	Hose ELASTOLLAN 6X4
7	3A00400105	EXPRESS connenctor M. 1
8	3G50300100	Steel reduction 1/2X1/4
9	3G01301106	Pilot for pneum. valve
10	3G50500200	Hose 12X14 RILSAN
11	3G50200200	Legris coupling elbow joint 6X1/4
12	3G01300306	Safety valve 1/2" calibrated 5 BAR

Pos.	Référence	Désignation
13	3G50301003	Joint for AIRTECH 2009
14	3G01700308	3-pieces connector M-F 3/4
15	3G01300803	CLAPET valve 3/4"
16	3G00528002	Galvanized nipple FIG.280 1/2
17	3G00300152	Electrovalve 1" M&M
18	3G00509204	Elbow join galvanized 90° MF FIG.92 1"
19	8002008003	Radiator hose SPL D.25X35 L=650 with coupling
20	3G00528002	Galvanized nipple FIG.280 1/2
21	3G00513004	T-joint FFF galvanized FIG.130 1
22	3G00509204	Elbow join galvanized 90° MF FIG.92 1"
23	3G50200101	Legris joint straight 1/2X14 3175
24	3G50500200	Hose 12X14 RILSAN
25	3G00509206	Elbow join galvanized 90° MF FIG.92 1"1/2
26	3G00524106	Galvanized reduction FIG.241 1 1/4X1/2
27	3G01300404	Check valve EUROPA 1"
28	3G00509204	Elbow join galvanized 90° MF FIG.92 1"
29	3G01700311	3-pieces connector M-M 1"
30	3G00528002	Galvanized nipple FIG.280 1/2
31	3G00553003	31
32	3G00509204	Elbow join galvanized 90° MF FIG.92 1"
33	3G00300152	Electrovalve 1" M&M
34	3G00528002	Galvanized nipple FIG.280 1/2
35	3G50300100	Steel reduction 1/2X1/4
36	3G01700311	3-pieces connector M-M 1"
37	3G50500100	Hose ELASTOLLAN 6X4
38	3G50200200	Legris coupling elbow joint 6X1/4
39	3G50301003	Joint for AIRTECH 2009
40	3G01300302	Safety valve 1/2" calibrated 2 BAR
41	3G01700300	3 piece connector MF (I1)
42	3G01301105	Pneum. control valve
43	3G01700300	3 piece connector MF (I1)
44	3G50500100	Hose ELASTOLLAN 6X4
45	3G50200300	Legris T - joint MFF 1/4
46	3G50500100	Hose ELASTOLLAN 6X4

Pos.	Référence	Désignation
47	3G00528002	Galvanized nipple FIG.280 1/2
48	3G00513402	T-joint FFM galvanized FIG.134 1/2
49	3G50200200	Legris coupling elbow joint 6X1/4
50	3G50200300	Legris T - joint MFF 1/4
51	3G01300702	3-ways solenoid valve 1/4 M&M
52	3A00100202	Female Geka coupling 1/2"

MIXER AIRTECH TOP powder conveying group - Type 100 RIETSCHLE - Electric panel



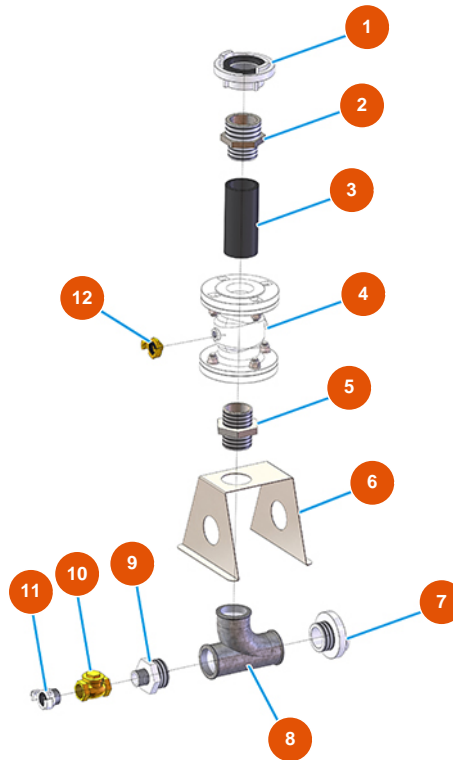
Détails des pièces

Pos.	Référence	Désignation
1	3C03000305	3-pin + neutral + ground 32A surface-mount male plug
2	8055000100	Led / led hose D.10 MM
3A	3C02100100	Rubber protection for switch
3B	3C01800200	Commutator switch (1)-0-(1) FASTON T115 G-A
4	3C04000510	Red emergency button
5	3C02600100	2-pin + ground 16A / 42V female inclined plug
6	3C00110457	6
7	3C00500503	Transformer AMPEROM.25A R=1:400
8	3C00500402	Transformer 70/80VA 400/42/24/15
9	3C05050501	Fuse holder bipolar 10,3X38
10	3C01030108	ABB-MS325 20A magnetic
11	3C01300207	Maneuver x ABB red/yellow IP64 MS1



Pos.	Référence	Désignation
12	3C00110158	12
13	3C00120100	Lead battery 12V 1,2AH
14	3C00120100	Lead battery 12V 1,2AH
15	3C00120200	Battery charger module AIRTECH 24VCC
16	3C03201650	Black box programmer for AIRTECH
17	3C00700121	Tripolar contactor 11KW 24AC 1NO 1NC
18	3C00700121	Tripolar contactor 11KW 24AC 1NO 1NC

MIXER AIRTECH TOP powder conveying group - Type 100 RIETSCHLE - Conveyor group



Détails des pièces

Pos.	Référence	Désignation
1	3A00200101	Female STORZ coupling 2"1/2
2	3G00524508	Galvanized reduced nipple FIG.245 2 1/2X2
3	3G01310001	Hose val. Ø 70 L=150 x conveyor group
4	3G01310000	Conveyor valve
5	3G00528007	Nipple galvanized FIG.280 2"
6	4013010100	6
7	3A00200301	Male STORZ coupling 2"
8	3G00513101	T-joint w/1 bow 131 2" galvanized
9	3G00524507	Galvanized reduced nipple FIG.245 2X1
10	3G01300801	Valve CLAPET 1"
11	3A00400105	EXPRESS connenctor M. 1
12	3A00100301	Male Geka coupling 3/8"