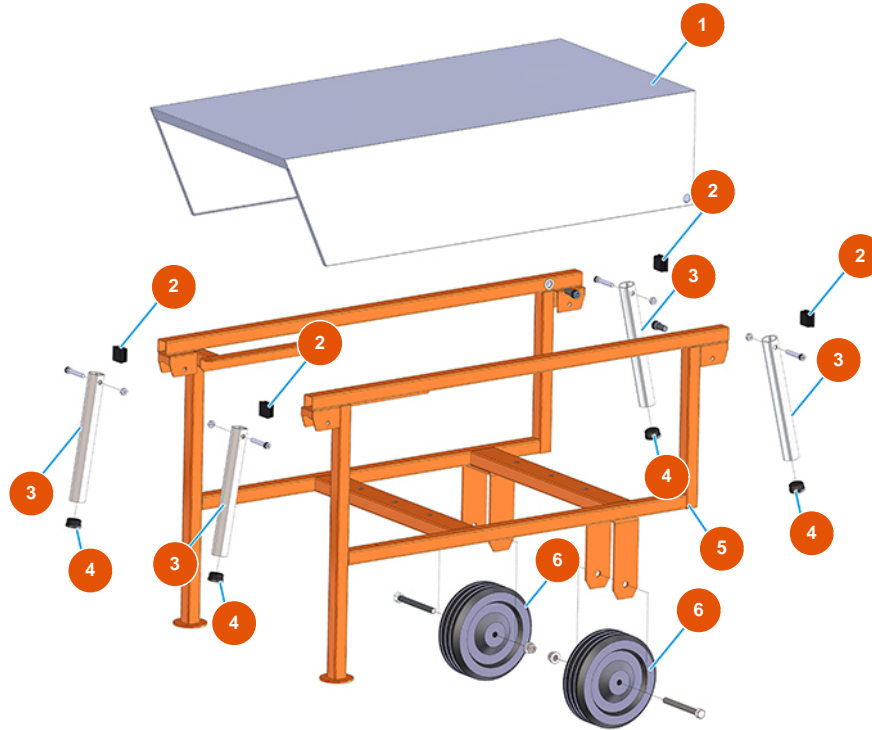
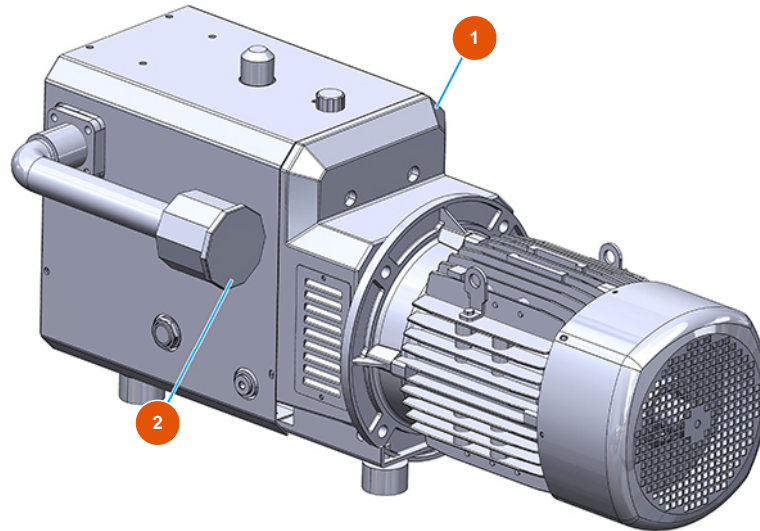


## MIXER ROL 14 powder conveying group - Type 140 RIETSCHLE - General view



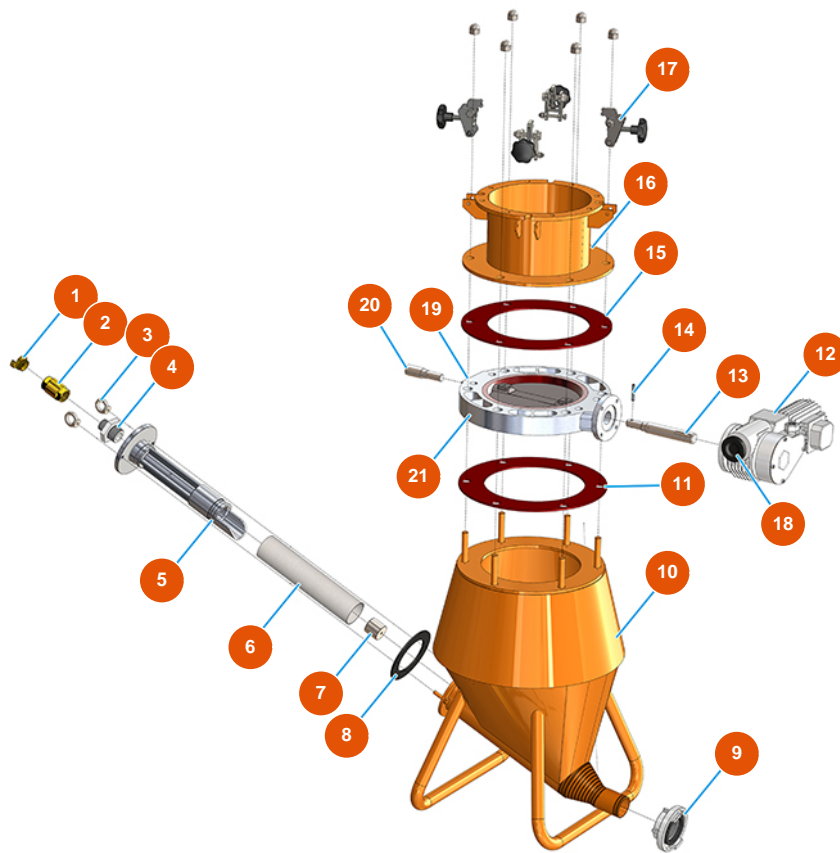
### Détails des pièces

Pos.	Référence	Désignation
1	4025000500	1
2	3F00400203	Black top 30x30
3	4914001000	Front lifting handle galv. PLUS
4	3F00400400	PVC black top D.32
5	7013003500	5
6	3F00300603	Supportless wheel Ø 200

**MIXER ROL 14 powder conveying group - Type 140 RIETSCHLE - Compressor****Détails des pièces**

Pos.	Référence	Désignation
1	3B01611000	Rietschle compressor DLR 120
2	3B01620000	Complete Rietschle compressor filter

## MIXER ROL 14 powder conveying group - Type 140 RIETSCHLE - Vat

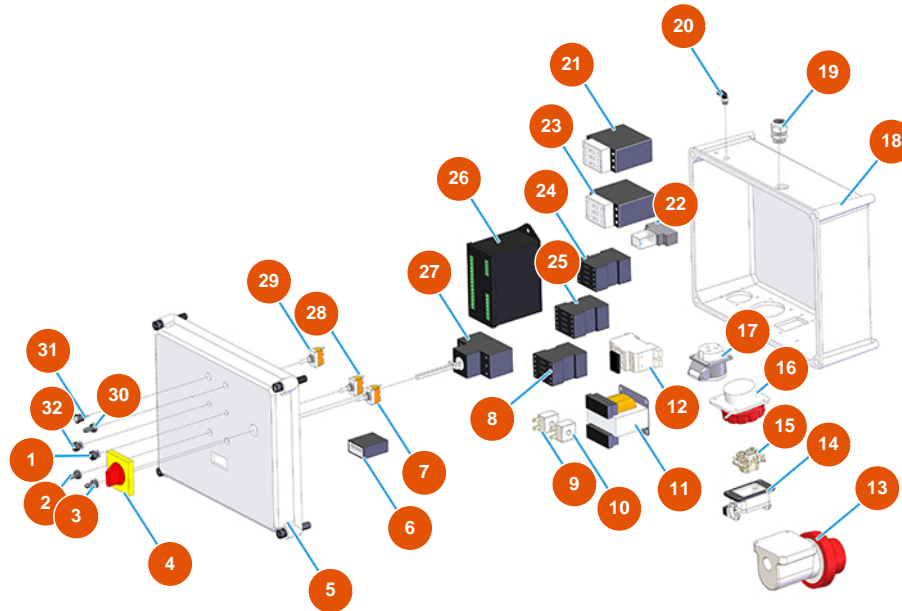


### Détails des pièces

Pos.	Référence	Désignation
1	3A00100304	Male Geka coupling 1"
2	3G01300404	Check valve EUROPA 1"
3	3T01100202	Galvanized eyebolt F 10
4	3G00524506	Galvanized reduced nipple FIG.245 1"1/4X1"
5	4003005000	Injector nozzle chromed
6	3G00800101	Cloth bag for MK800 PT 11 bag filter
7	4003006000	Injector nozzle chromed
8	4920002000	Rubber seal injet.160x105x5 w/holes
9	3A00200100	Female Storz coupling 2"
10	702200100A	ROL 14 vat
11	4920007000	Rubber / canvas gasket V/A/C 390X265X5
12	3D00600101	Actuator SM63 SR92 A63 1/300
13	4922009000	Drive shaft D.28x200 with slot x disc

Pos.	Référence	Désignation
14	3T02405001	Conical threaded pin m8 L = 60
15	4920007000	Rubber / canvas gasket V/A/C 390X265X5
16	702900100A	ROL silo attachment collar 14
17	7023003000	Complete ROL 14 amphora hook
18	3D50400101	Actuator handwheel A63
19	4003026000	Body aluminum butterfly valve w/gasket
20	4922008000	Support shaft D.28x109
21	4003022000	Valve disk cast iron GS500

## MIXER ROL 14 powder conveying group - Type 140 RIETSCHLE - Electric panel



### Détails des pièces

Pos.	Référence	Désignation
1	3C00300100	Potentiometer SFERNICE P16NP-4K7
2	3C02100100	Rubber protection for switch
3	3C02100100	Rubber protection for switch
4	3C01300207	Maneuver x ABB red/yellow IP64 MS1
5	3C00110155	5
6	3C02300200	Hour counter 24V AC 50HZ TH634
7	3C01801000	Commutator switch 1-0 T115 F-A
8	3C00700107	Contacteur ABB A8-30-01 4KW
9	3C00500502	Transformer AMPEROM.25A R=1:200
10	3C00500503	Transformer AMPEROM.25A R=1:400
11	3C00500402	Transformer 70/80VA 400/42/24/15
12	3C05050800	Fuse holder 5X20 PHONIX UK5-HESIL
13	3C03000305	3-pin + neutral + ground 32A surface-mount male plug

Pos.	Référence	Désignation
14	3C02800300	6-pin socket base 1 lever for VERTIGO trowel
15	3C02700300	6-pin 16A female insert
16	3C02600203	3-pin+gr female inclined plug 16A GW 62231
17	3C02600100	2-pin + ground 16A / 42V female inclined plug
18	3C00110453	18
19	3C04200201	PG.9 anti-tear cable gland
20	3G50400201	Air connection 90GR M 1/8
21	3C00700203	Contacteur ABB A26-30-10 11 KW
22	3C00600900	Relay 2SC 48 VAC FINDER
23	3C00700203	Contacteur ABB A26-30-10 11 KW
24	3C00700107	Contacteur ABB A8-30-01 4KW
25	3C00700107	Contacteur ABB A8-30-01 4KW
26	3C03201610	Black box programmer for ROL 14
27	3C01030108	ABB-MS325 20A magnetic
28	3C01801000	Commutator switch 1-0 T115 F-A
29	3C01800200	Commutator switch (1)-0-(1) FASTON T115 G-A
30	3C02100100	Rubber protection for switch
31	8055000100	Led / led hose D.10 MM
32	3C00300100	Potentiometer SFERNICE P16NP-4K7