

EUROSPRAY XL airless piston pump - Chassis

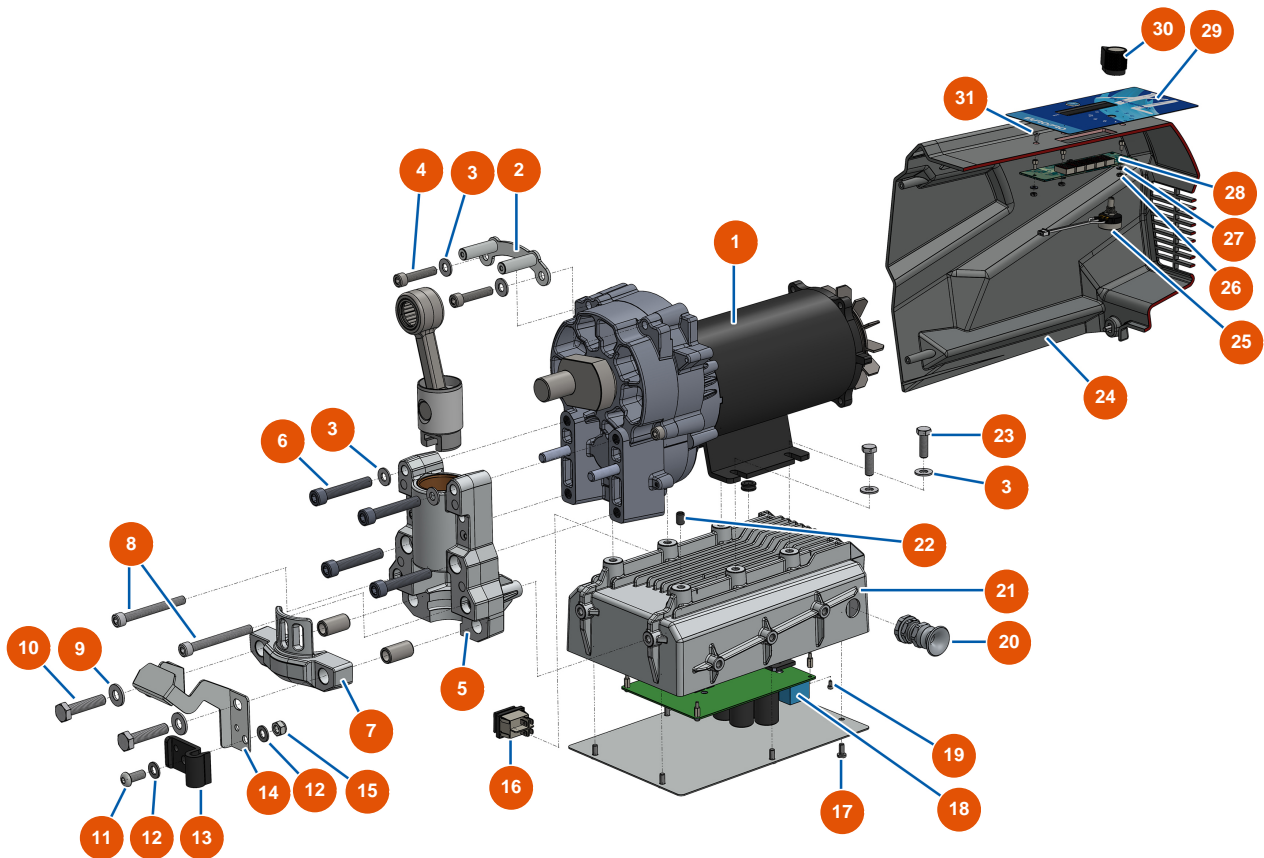


Détails des pièces

Pos.	Référence	Désignation
1	EU51305	EUROSPRAY XL front cover
2	EU51306	EUROSPRAY XL rear cover
3	EU51371	EUROSPRAY XL chassis arm
4	EU51165	EUROSPRAY S Mini, S, L & PULSE complete tool box
5	EU14187	8 x 40 inox countersunk screw
6	EU51307	EUROSPRAY XL lever handle locking cam
7	EU30256	ø 8 inox narrow washer
8	EU90127	M 8 nylstop nut
9	EUC23497	EUROSPRAY XL pump stand
10	EU90281	Ø20 chromed clip
11	EU51359	EUROSPRAY XL wheel
12	EU51304	EUROSPRAY XL foot plug
13	EU51356	EUROSPRAY XL pump arm sleeve fixing screw

Pos.	Référence	Désignation
14	EU51363	EUROSPRAY XL pump arm sleeve spring button fixing pin
15	EU51355	Arm sleeve spring button for EUROSPRAY S & XL pump
16	EU51354	EUROSPRAY XL pump arm sleeve
17	EU12111	8 x 20 inox cylindrical pan head screw
18	EU80260	∅ 8 inox medium washer
19	EU80618	6 x 50 cylindrical head screw
20	EU70087	∅ 6 inox narrow washer
21	EU30330	M 6 Inox cap nut
22	EU14217	M 6 nylstop inox nut
23	EU51148	EUROSPRAY S, L & PULSE power cable support
24	EU90996	6 x 20 inox cylindrical head screw
25	EU90214	Power cable with molded plug 3G 2,5 mm ²
26	EU12411	Self-gripping collar 20 x 330 mm
27	EU51369	EUROSPRAY XL complete pump
28	EU51312	EUROSPRAY XL 8-mesh plaster suction strainer
29	EU51357	EUROSPRAY XL pump return hose
30	EU51358	EUROSPRAY XL return hose deflector

EUROSPRAY XL airless piston pump - Transmission / Electrical box

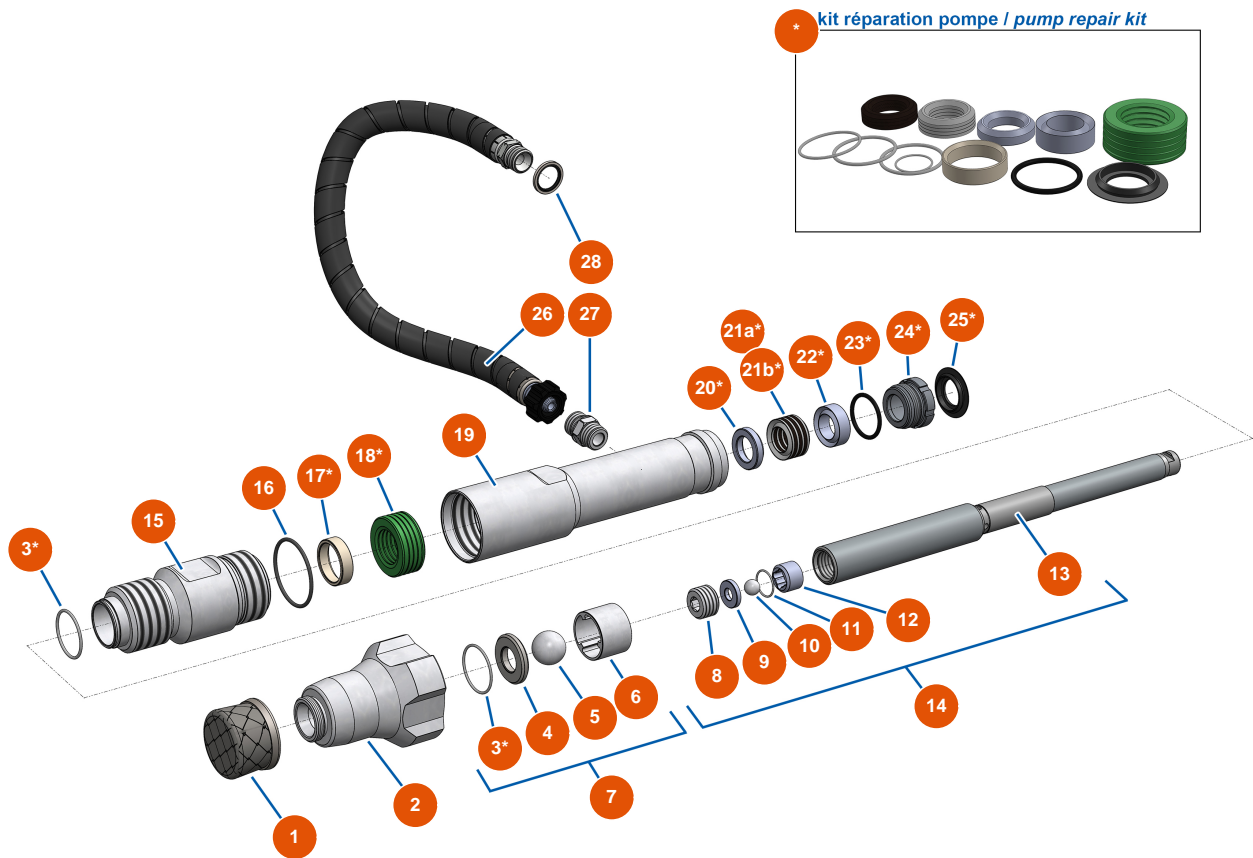


Détails des pièces

Pos.	Référence	Désignation
1	EU51348	EUROSPRAY XL pump complete motor
2	EUC23504	EUROSPRAY XL front crankcase mounting plate
3	EU80260	ø 8 inox medium washer
4	EU12246	8 x 40 cylindrical head screw
5	EU51302	EUROSPRAY XL pump support
6	EU13520	10 x 60 cylindrical head screw
7	EU51303	EUROSPRAY XL pump mounting bracket
8	EU12466	8 x 75 cylindrical head screw
9	EU80261	ø 10 inox medium washer
10	EU12441	THEF 10 x 45 screw
11	EU12111	8 x 20 inox cylindrical pan head screw
12	EU30256	ø 8 inox narrow washer
13	EU51351	EUROSPRAY XL pump return hose fastening clip

Pos.	Référence	Désignation
14	EU51350	EUROSPRAY XL pump bucket support
15	EU90127	M 8 nylstop nut
16	EU51349	EUROSPRAY XL pump ON/OFF switch
17	EU90161	M5 x 12 cylindrical head screw - CP 60 cylindrical head screw
18	EU51345	EUROSPRAY XL pump electronic card
19	EU13329	3 x 6 cylindrical head screw
20	EU80451	Brass cable gland of 13 for power cable
21	EU51301	EUROSPRAY XL aluminum electrical box
22	EU14151	8 x 12 stainless steel socket head screw with flat tip
23	EU11544	THEF 8 x 25 screw
24	EU51306	EUROSPRAY XL rear cover
25	EU51352	EUROSPRAY XL pump potentiometer
26	EU310016	M 3 nut
27	EU12070	ø 3 inox medium washer
28	EU51346	EUROSPRAY XL electronic display board
29	EU51310	EUROSPRAY XL membrane front panel
30	EU51353	EUROSPRAY XL pump potentiometer button
31	EU1033003	3 x 8 DIN 7991 countersunk screw

EUROSPRAY XL airless piston pump - Pump



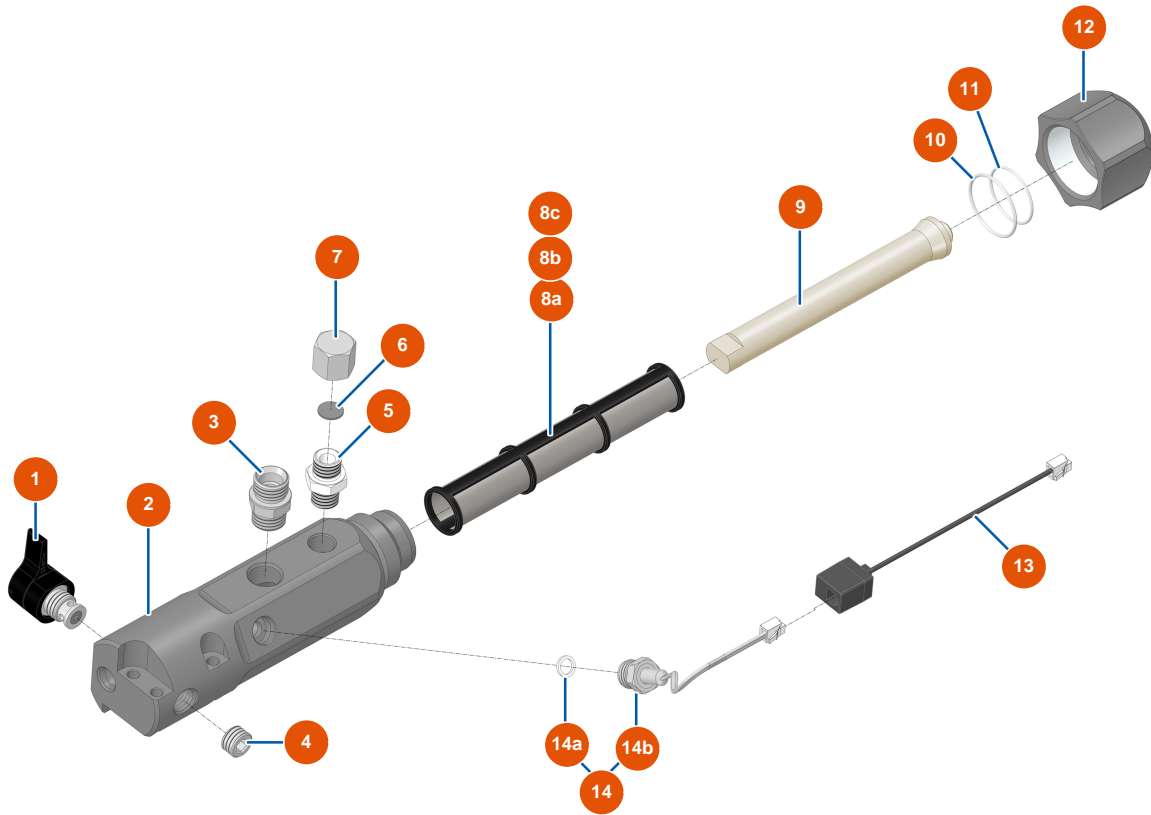
Détails des pièces

Pos.	Référence	Désignation
*	EU51335	EUROSPRAY XL pump gaskets kit
1	EU51312	EUROSPRAY XL 8-mesh plaster suction strainer
2	EU51334	EUROSPRAY XL pump foot
3*	EU51324	EUROSPRAY XL pump PTFE O-ring
4	EU51332	EUROSPRAY XL pump valve ball seat
5	EU51331	Tungsten ball valve for EUROSPRAY XL pump
6	EU51330	EUROSPRAY L pump valve ball guide
7	EU51370	EUROSPRAY XL pump suction valve repair kit
8	EU51329	EUROSPRAY XL pump piston nut
9	EU51328	EUROSPRAY XL pump piston ball seat
10	EU51327	EUROSPRAY XL pump piston ball
11	EU51326	EUROSPRAY XL pump piston gasket
12	EU51325	EUROSPRAY XL pump piston ball guide



Pos.	Référence	Désignation
13	EU51308	EUROSPRAY XL pump piston rod
14	EU51336	EUROSPRAY XL pump complete piston
15	EU51323	EUROSPRAY XL pump lower body
16	EU51333	EUROSPRAY XL pump O-ring
17*	EU51322	EUROSPRAY XL pump retaining ring
18*	EU51321	EUROSPRAY XL pump lower gasket
19	EU51320	EUROSPRAY XL pump intermediate tube
20*	EU51319	EUROSPRAY XL pump retaining ring
21a*	EU51317	EUROSPRAY S Mini & S pump upper leather gasket
21b*	EU51318	EUROSPRAY XL pump upper gasket
22*	EU51316	EUROSPRAY XL pump retaining ring
23*	EU51315	EUROSPRAY XL pump O-ring
24*	EU51314	EUROSPRAY XL pump cable gland nut
25*	EU51313	EUROSPRAY XL pump cable gland plug
26	EU51311	EUROSPRAY XL pump/filter hose
27	EUM10827	EUROSPRAY XL 1/2"G pump outlet connector
28	EU91032	Steel gasket for hollow screw with 1/2" lip

EUROSPRAY XL airless piston pump - Filter



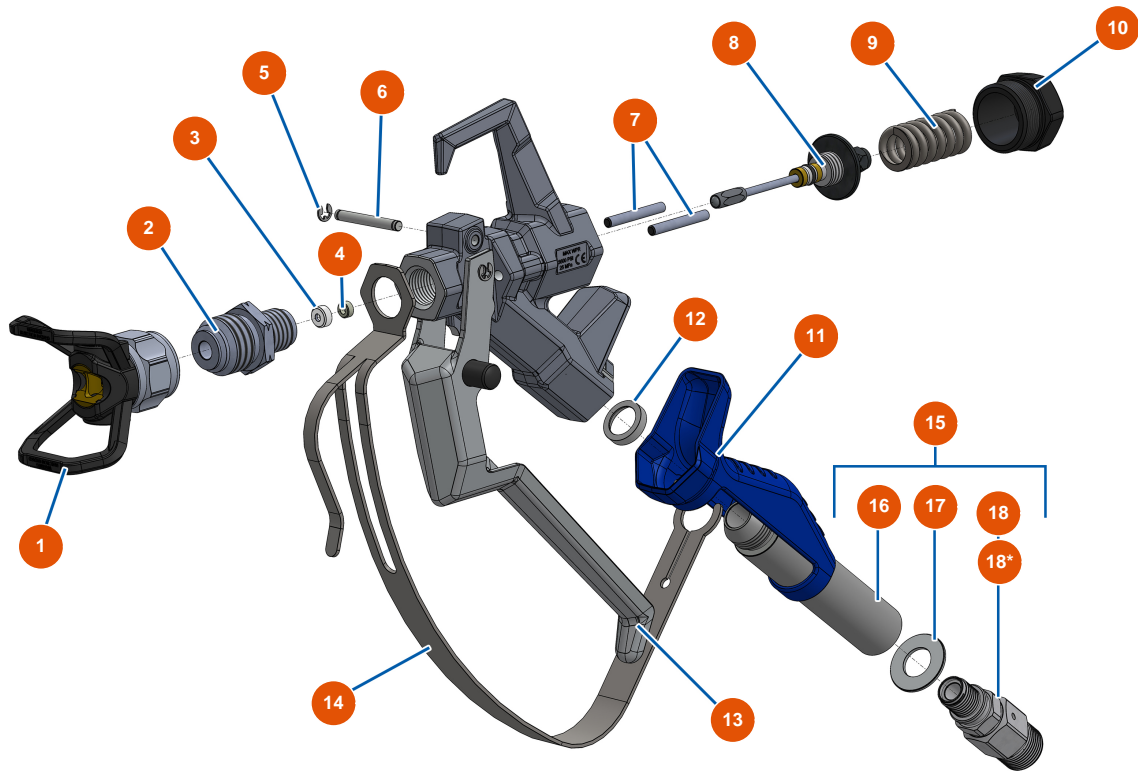
Détails des pièces

Pos.	Référence	Désignation
1	EU51347	EUROSPRAY XL pump complete drain valve
2	EU51361	EUROSPRAY XL pump filter body
3	EUM10827	EUROSPRAY XL 1/2"G pump outlet connector
4	EU12575	3/8" MaleC high-pressure headless plug
5	EU80276	3/8" MaleD x 3/8" MaleC high-pressure nipple
6	EU51372	EUROSPRAY XL 3/8" Female plug flat seal
7	EU51373	EUROSPRAY XL 3/8" Female plug
8a	EU51339	EUROSPRAY XL 60 mesh pump filter
8b	EU51340	EUROSPRAY XL 30 mesh pump filter
8c	EU51341	EUROSPRAY XL 100 mesh pump filter
9	EU51338	EUROSPRAY XL pump filter support
10	EU51362	EUROSPRAY XL pump PTFE O-ring filter cap
11	EU51324	EUROSPRAY XL pump PTFE O-ring



Pos.	Référence	Désignation
12	EU51337	EUROSPRAY XL pump filter plug
13	EU51360	RJ11 M/F extension for EUROSPRAY L & XL pump sensor
14	EU51344	EUROSPRAY XL pump complete pressure sensor
14a	EU51343	EUROSPRAY XL pump pressure sensor gasket
14b	EU51342	EUROSPRAY XL pump pressure sensor

EUROSPRAY XL airless piston pump - COATSPRAY Spray-gun



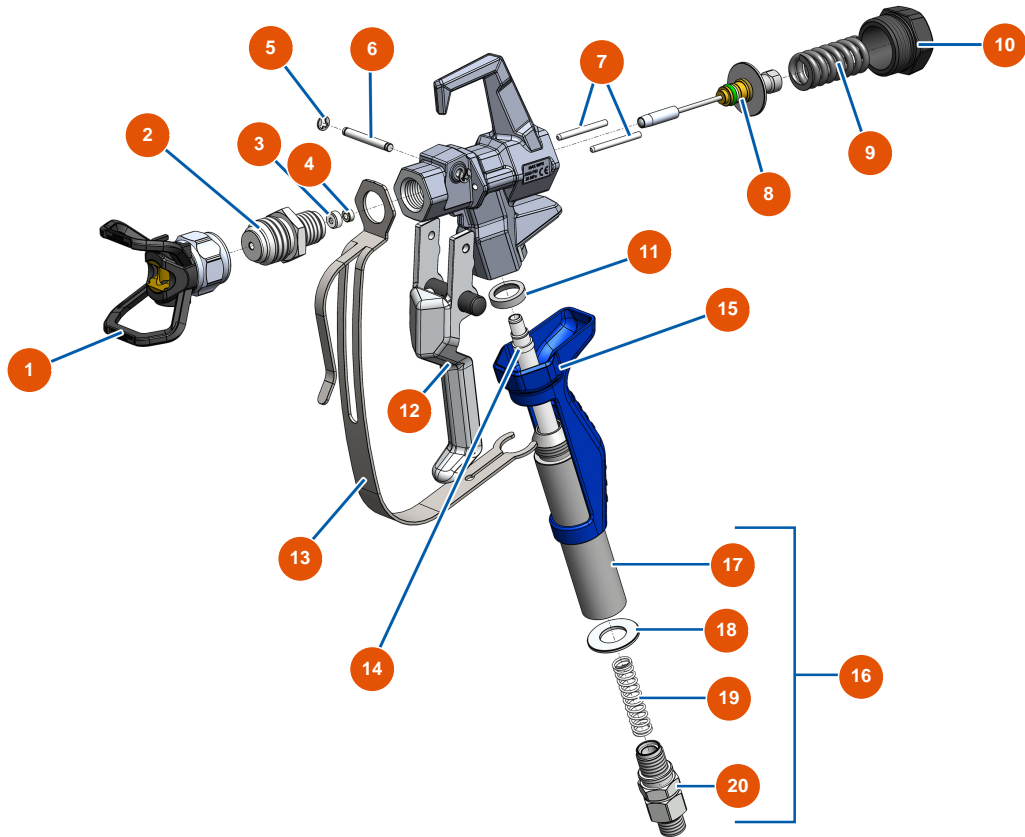
**Raccord renforcé optionnel / Optional reinforced connector*

Détails des pièces

Pos.	Référence	Désignation
1	EU51001	EUBST, EUBBP & EUBFF 7/8" nozzle-holder
2	EU51054	COATSPRAY spray-gun 7/8" diffuser
3	EU51047	PAINTSPRAY, COATSPRAY spray-gun needle seat gasket
4	EU51046	PAINTSPRAY, COATSPRAY spray-gun needle seat
5	EU51043	PAINTSPRAY, COATSPRAY spray-gun trigger axis circlip
6	EU51057	COATSPRAY spray-gun trigger axis
7	EU51055	COATSPRAY spray-gun retraction pin
8	EU51053	COATSPRAY spray-gun needle repair kit
9	EU51034	PAINTSPRAY, COATSPRAY spray-gun needle return spring
10	EU51038	PAINTSPRAY, COATSPRAY spray-gun needle lock plug
11	EU51037	PAINTSPRAY spray-gun plastic handle
12	EU51051	COATSPRAY spray-gun filter holder bearing gasket
13	EU51056	COATSPRAY spray-gun complete trigger

Pos.	Référence	Désignation
14	EU51052	COATSPRAY spray-gun trigger protection
15	EU51059	Complete revolving coupling for COATSPRAY spray-gun
16	EU51035	PAINTSPRAY spray-gun filter holder
17	EU51045	PAINTSPRAY, COATSPRAY spray-gun revolving coupling gasket
18	EU51058	1/2" MBSP revolving coupling for COATSPRAY spray-gun
18*	EUM07057	Reinforced turning connector for COATSPRAY spray-gun

EUROSPRAY XL airless piston pump - PAINTSPRAY Spray-gun



Détails des pièces

Pos.	Référence	Désignation
1	EU51001	EUBST, EUBBP & EUBFF 7/8" nozzle-holder
2	EU51036	PAINTSPRAY spray-gun 7/8" diffuser
3	EU51047	PAINTSPRAY, COATSPRAY spray-gun needle seat gasket
4	EU51046	PAINTSPRAY, COATSPRAY spray-gun needle seat
5	EU51043	PAINTSPRAY, COATSPRAY spray-gun trigger axis circlip
6	EU51042	PAINTSPRAY spray-gun trigger axis
7	EU51040	PAINTSPRAY spray-gun retraction pin
8	EU51033	PAINTSPRAY spray-gun needle repair kit
9	EU51034	PAINTSPRAY,COATSPRAY spray-gun needle return spring
10	EU51038	PAINTSPRAY, COATSPRAY spray-gun needle lock plug
11	EU51031	PAINTSPRAY spray-gun filter holder bearing gasket
12	EU51039	PAINTSPRAY spray-gun complete trigger
13	EU51032	PAINTSPRAY spray-gun trigger protection



Pos.	Référence	Désignation
14	EU51003	Spray-gun grip 50-mesh filter
15	EU51037	PAINTSPRAY spray-gun plastic handle
16	EU51048	Complete revolving coupling for PAINTSPRAY spray-gun
17	EU51035	PAINTSPRAY spray-gun filter holder
18	EU51045	PAINTSPRAY, COATSPRAY spray-gun revolving coupling gasket
19	EU51041	PAINTSPRAY spray-gun filter holding spring
20	EU51044	1/4" MBSP revolving coupling for PAINTSPRAY spray-gun