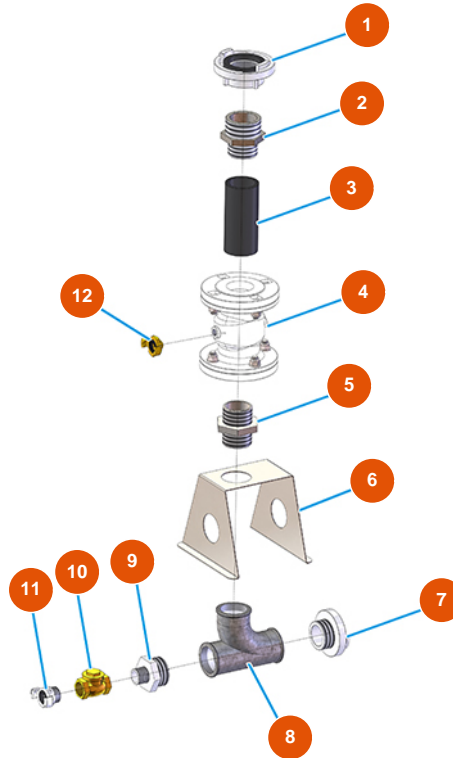


MIXER AIRTECH TOP powder conveying group - Type 100 RIETSCHLE - Conveyor group



Détails des pièces

| Pos. | Référence | Désignation |
|------|------------|---|
| 1 | 3A00200101 | Female STORZ coupling 2"1/2 |
| 2 | 3G00524508 | Galvanized reduced nipple FIG.245 2 1/2X2 |
| 3 | 3G01310001 | Hose val. Ø 70 L=150 x conveyor group |
| 4 | 3G01310000 | Conveyor valve |
| 5 | 3G00528007 | Nipple galvanized FIG.280 2" |
| 6 | 4013010100 | 6 |
| 7 | 3A00200301 | Male STORZ coupling 2" |
| 8 | 3G00513101 | T-joint w/1 bow 131 2" galvanized |
| 9 | 3G00524507 | Galvanized reduced nipple FIG.245 2X1 |
| 10 | 3G01300801 | Valve CLAPET 1" |
| 11 | 3A00400105 | EXPRESS connenctor M. 1 |
| 12 | 3A00100301 | Male Geka coupling 3/8" |