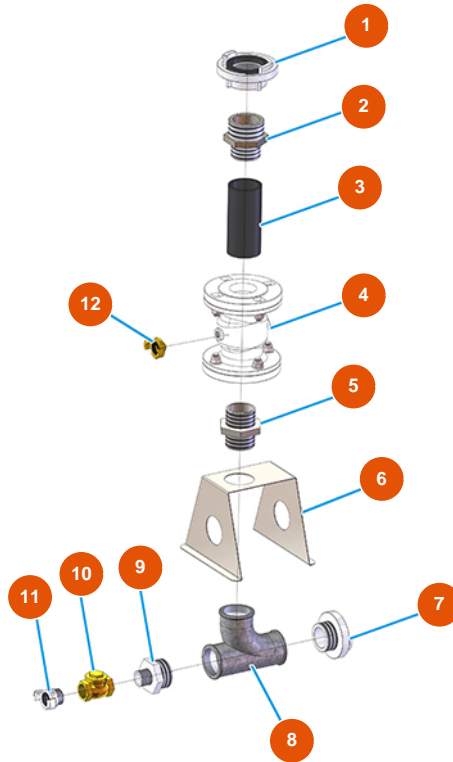


## MIXER AIRTECH STANDARD powder conveying group - Type 100 RIETSCHLE - Conveyor group



### Détails des pièces

| Pos. | Référence  | Désignation                               |
|------|------------|---|
| 1    | 3A00200101 | Female STORZ coupling 2"1/2               |
| 2    | 3G00524508 | Galvanized reduced nipple FIG.245 2 1/2X2 |
| 3    | 3G01310001 | Hose val. Ø 70 L=150 x conveyor group     |
| 4    | 3G01310000 | Conveyor valve                            |
| 5    | 3G00528007 | Nipple galvanized FIG.280 2"              |
| 6    | 4013010100 | 6   |
| 7    | 3A00200301 | Male STORZ coupling 2"                    |
| 8    | 3G00513101 | T-joint w/1 bow 131 2" galvanized         |
| 9    | 3G00524507 | Galvanized reduced nipple FIG.245 2X1     |
| 10   | 3G01300801 | Valve CLAPET 1"                           |
| 11   | 3A00400105 | EXPRESS connenctor M. 1                   |
| 12   | 3A00100301 | Male Geka coupling 3/8"                   |