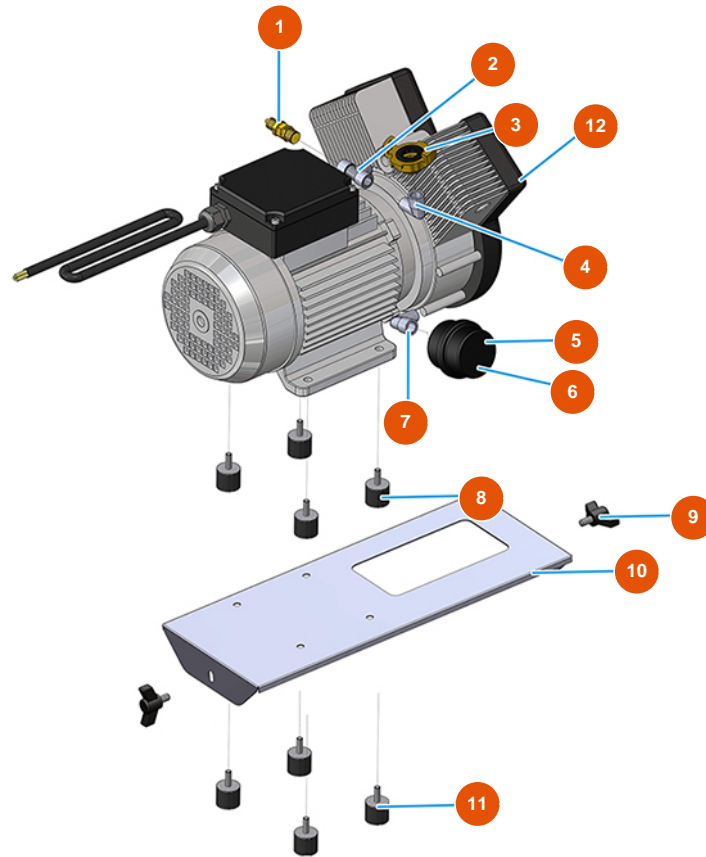


OPTIMIX 10 spraying machine for mortar - Compressor



Détails des pièces

Pos.	Référence	Désignation
1	3G01300304	Safety valve 1/4" TAR.3 BAR
2	3G50300804	T - joint FMF steel 3/8
3	3A00100301	Male Geka coupling 3/8"
4	3G50300503	Steel elbow MF 3/8"
5	3B02620000	Cartridge filter holder
6	3B02620010	Filter cartridge
7	3G50300500	Stainless steel elbow joint MF 1/4"
8	3T00200202	Rubber antivibration MF M8 30X30
9	3T01505001	Butterfly screw M8 x 15
10	4011403300	Optimix 10 compressor support 2021
11	3T00200307	Anti-vibration foot 30X10 M8
12	3B02500000	Single-phase compressor 2 heads 230V