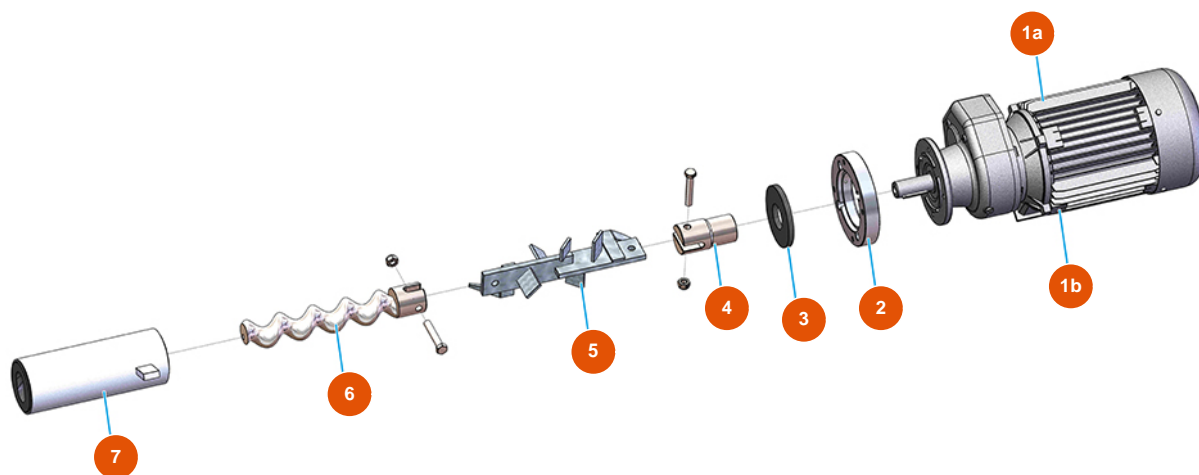


OPTIMIX 20 spraying machine - 3 kW - Mixing group



Détails des pièces

Pos.	Référence	Désignation
1a	3D00310103	Reducer P402A-F 1/26,30
1b	3D00200710	Mixing chamber three-phased 2,2 kW motor
2	4029000200	Fixing flange for engine 188
3	4920205000	Rubber seal 115X48X10
4	4923019110	Motor coupling for OPTIMIX 20
5	7003008900	Mixing shaft for OPTIMIX 20 ver. 2018
6	7009044200	MIXER VIPER SX rotor 2018 vers.
7	3F00522200	MIXER VIPER SX straight short stator