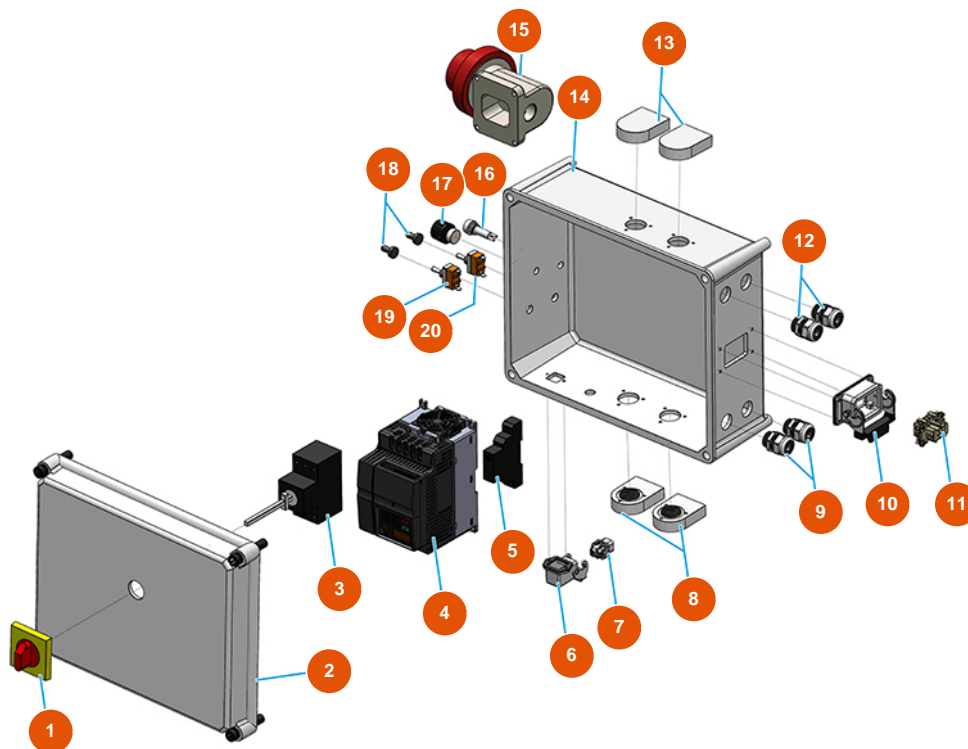


OPTIMIX 20 spraying machine - 3 kW - Electric panel



Détails des pièces

Pos.	Référence	Désignation
1	3C01300207	Maneuver x ABB red/yellow IP64 MS1
2	3C00110101	2
3	3C01030108	ABB-MS325 20A magnetic
4	3C05100161	Inverter Fuji Frenic-mini C2 2.2 KW 230V
5	3C00600215	Relay 22.32.0.024.4340 FINDER
6	3C02800200	Socket base
7	3C02700200	4-pin + ground 10A female insert
8	3C00130101	Basic ventilation kit APO 71 (2 PE)
9	3C04200200	PG16 anti-tear cable gland
10	3C02800300	6-pin socket base 1 lever for VERTIGO trowel
11	3C02700300	6-pin 16A female insert
12	3C04200200	PG16 anti-tear cable gland
13	3C00130101	Basic ventilation kit APO 71 (2 PE)

Pos.	Référence	Désignation
14	3C00110473	14
15	3C03000103	2-pin + ground 16A surface-mount male plug
16	3C02410100	White light alarm 24V alternating DC TR
17	3C00300400	Potentiometer 4,7 K-OHM
18	3C02100100	Rubber protection for switch
19	3C01800800	Commutator switch 1-0-1 T215 T-A
20	3C01800402	Lever commutator switch T315N-A ON-ON