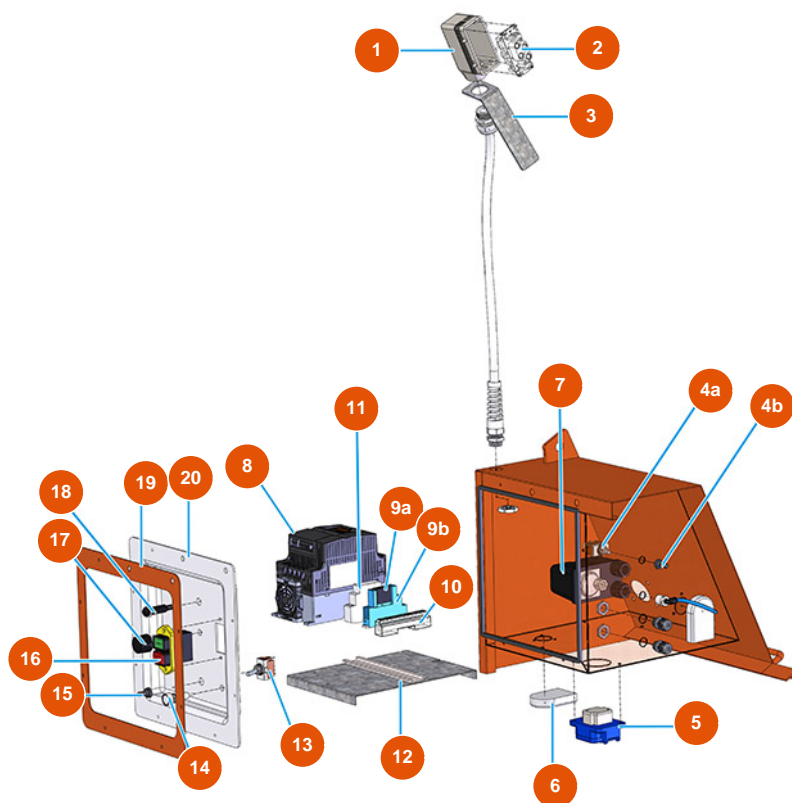


MIXER LIGHT E.W.I. continuous mixing machine - Electric panel



Détails des pièces

Pos.	Référence	Désignation
1	3C02800100	Horizontal 16-pin cover
2	3C02700600	4/2-pin 80A female insert
3	4906512000	Plate 40X190 support plug ILME
4a	3C01800402	Lever commutator switch T315N-A ON-ON
4b	3C02100100	Rubber protection for switch
5	3C02601001	Interlocking socket SCHUKO PALAZZOLI
6	3C00130101	Basic ventilation kit APO 71 (2 PE)
7	3G00403106	Pressure switch PT/5 0,6-2 BAR ITALT
8	3C05100107	Mono inverter 230V 2,2Kw MOSQUITO/PLUS
9a	3C00600800	Relay 2SC JW2 SN 24VDC
9b	3C00600904	Relay socket FINDER 95.05 SPA
10	3C00400700	10-way ground clamp
11	3C00600210	Relay 22.32.0.230.4340 FINDER

Pos.	Référence	Désignation
12	4044002400	12
13	3C01800800	Commutator switch 1-0-1 T215 T-A
14	3C02400900	White light alarm 230V SIGNALUX
15	3C02100100	Rubber protection for switch
16	3C01403000	Bipolar switch 230V
17	3C00300101	Simple linear potentiometer 5K
18	3M00500121	Water pump button
19	404400280A	Control panel frame LIGHT
20	4044001200	Control panel cover LIGHT 2013