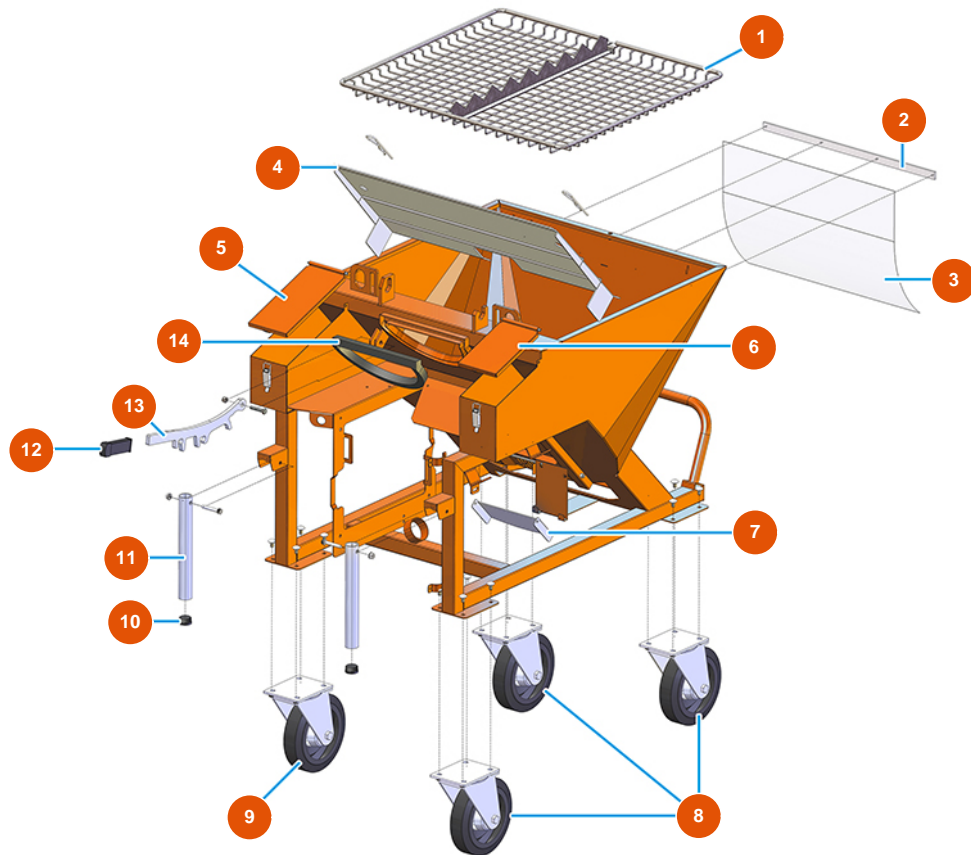


## MIXER PLUS STANDARD continuous mixing machine - 50 Hz - General view



### Détails des pièces

Pos.	Référence	Désignation
1	7017502000	Bag Cutter Grid for PLUS CLASSIC, STANDARD and TOP
2	4906519000	Protection tie plate PVC galvanised
3	4920001010	PVC FLEX protection 545X450X1 MOSQUITO
4	4913001500	Antipowder plate for PLUS MONO vers. 2020
5	400201500A	Drawer cover PLUS 2001 big
6	400201400A	Drawer cover PLUS 2001 small
7	401700110A	Drain door PLUS TOP galvanized
8	3F00300902	Turning wheel Ø 200/70 w/plate
9	3F00300901	Wheel Ø 200/70 revolving plate w/brake
10	3F00400400	PVC black top D.32
11	4914001000	Front lifting handle galv. PLUS
12	3T02700201	Rubber knob for lever LH-BET-PL-I41
13	4928001000	Clamping lever galv. chamber PLUS



Pos.	Référence	Désignation
14	3G01000151	EPDM seal 20X15 black