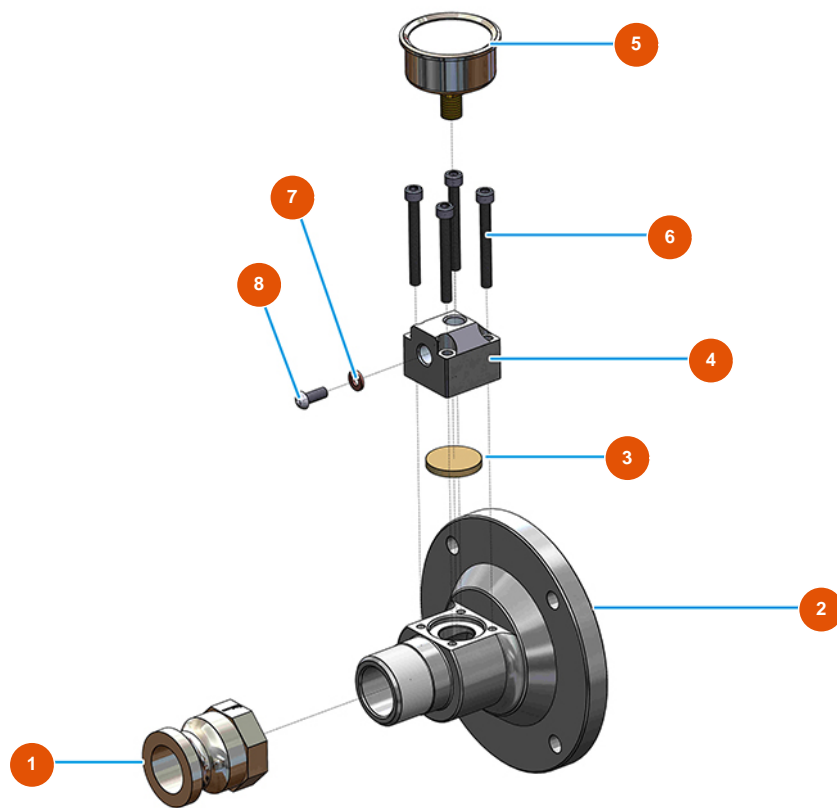


OPTIMIX 10 spraying machine for adhesive - Output flange



Détails des pièces

Pos.	Référence	Désignation
1	3A00300105	Male camelock 25 X 1"1/4
2	EUM10592	Output flange 1" for OPTIMIX 10
3	EU12913	Pump nose manometer membrane
4	EUM10079	Cover for MIXPRO 14
5	EU80070	Axial manometer 1/4" conical oil 50 mm 0 to 60 bar
6	EU90996	6 x 20 inox cylindrical head screw
7	EU12765	Copper seal for pump nose
8	EU12625	6 x 8 cylindrical head screw