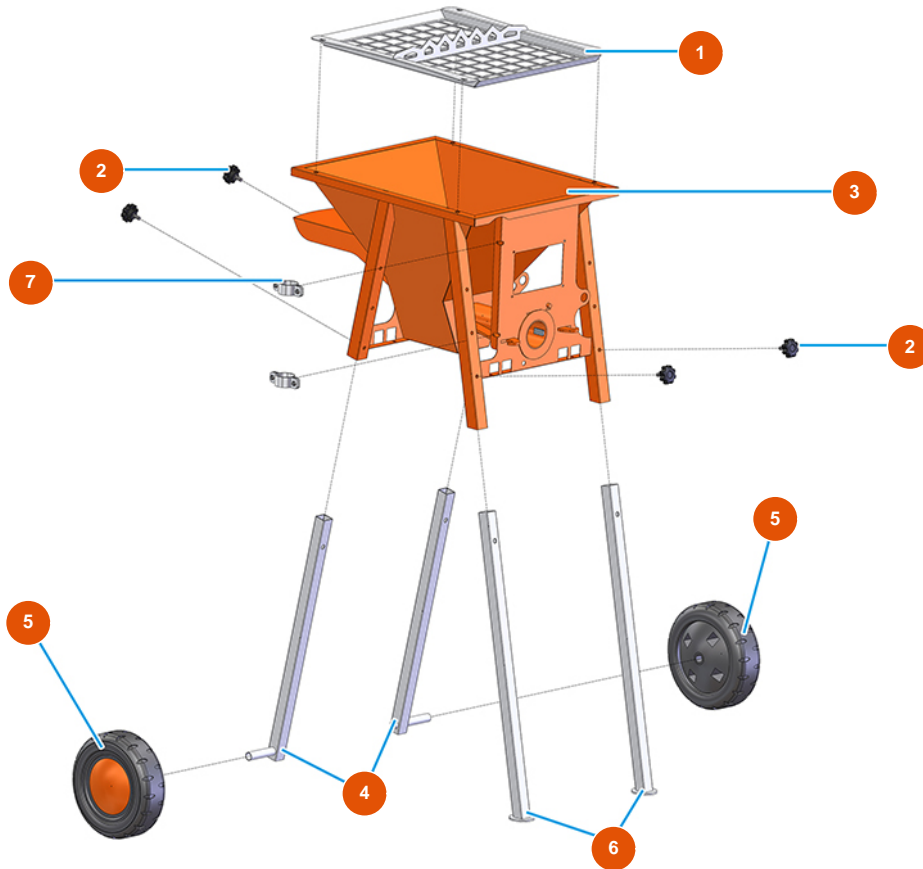


MIXER 35 TOP continuous mixer for adhesive - General view



Détails des pièces

Pos.	Référence	Désignation
1	701702050G	Bag Cutter Grid for MIXER 35
2	3T02000401	Knob M8 X 20
3	701203100A	MIXER 35 vers. 2020 Tank
4	701303910G	Back legs MIXER 35
5	3F00300208	Wheel Ø260/85 mm rubber
6	701303900G	Front legs MIXER 35
7	3G01600104	Collar 1"1/4