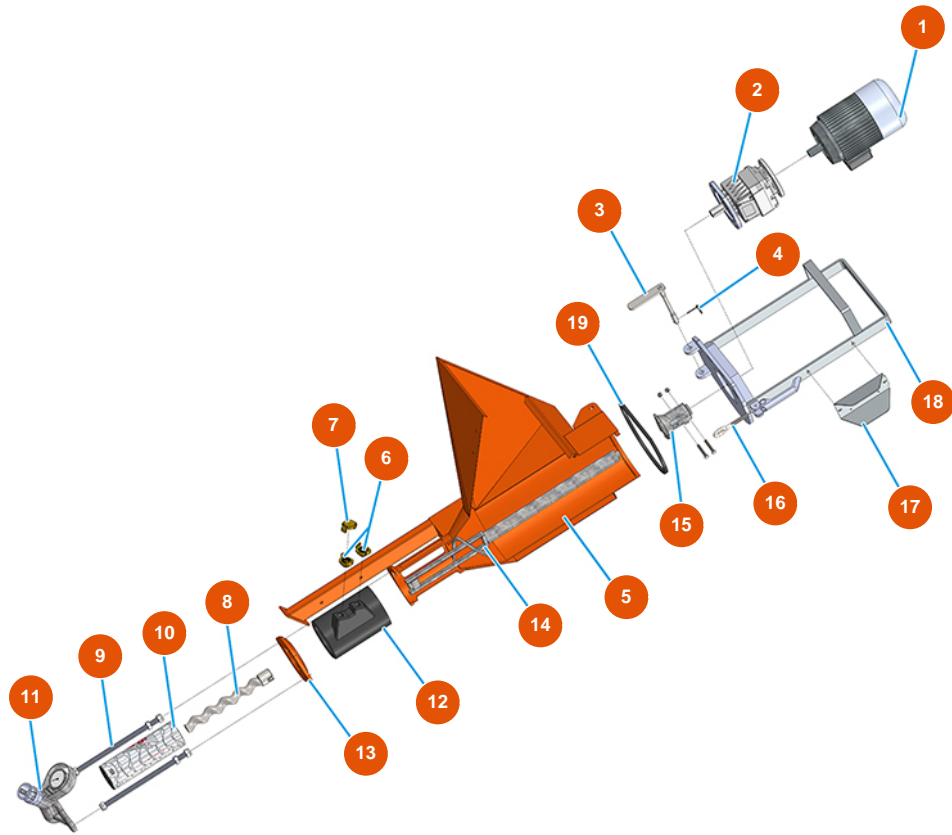


MIXER SPRINTER E.W.I. continuous mixing machine - Mixing group



Détails des pièces

| Pos. | Référence | Désignation |
|------|------------|---|
| 1 | 3D00200710 | Mixing chamber three-phased 2,2 kW motor |
| 2 | 3D00310101 | Mixing chamber reducer for MIXER LIGHT, PLUS MONO, SPRINTER and CD 25 |
| 3 | 701800600 | 3 |
| 4 | 3T01200101 | Split pin Ø 4,5 |
| 5 | 701202120A | 5 |
| 6 | 3A00100302 | Male Geka coupling 1/2" |
| 7 | 3A00100401 | Geka plug |
| 8 | 7009049700 | MIXER 13 rotor |
| 9 | 8023003000 | Tie rod M16 L = 350 F55 / 55 + screws |
| 10 | 3F00503000 | MIXER 13 straight stator - D4-3 / D4-1/2 |
| 11 | 8012006000 | Pump flange for SPRINTER and LIGHT |
| 12 | 4002103000 | Polyurethane mixing chamber for MIXER PLUS and SPRINTER vers. 2020 |
| 13 | 400210230A | Support for mixing chamber MIXER PLUS vers. 2020 |



| Pos. | Référence | Désignation |
|------|------------|---|
| 14 | 7003020000 | Mixing shaft for SPRINTER |
| 15 | 700600650S | Motor coupling for PLUS MONO, SPRINTER and REMIX - h=25 - Ø20 |
| 16 | 3T01000400 | Galvanized threaded ring lever closing 262 |
| 17 | 4906511000 | Protection bent plate plug 76X83 galv. |
| 18 | 701100300G | Mixing chamber motor support for MIXER PLUS and SPRINTER |
| 19 | 3G01000151 | EPDM seal 20X15 black |